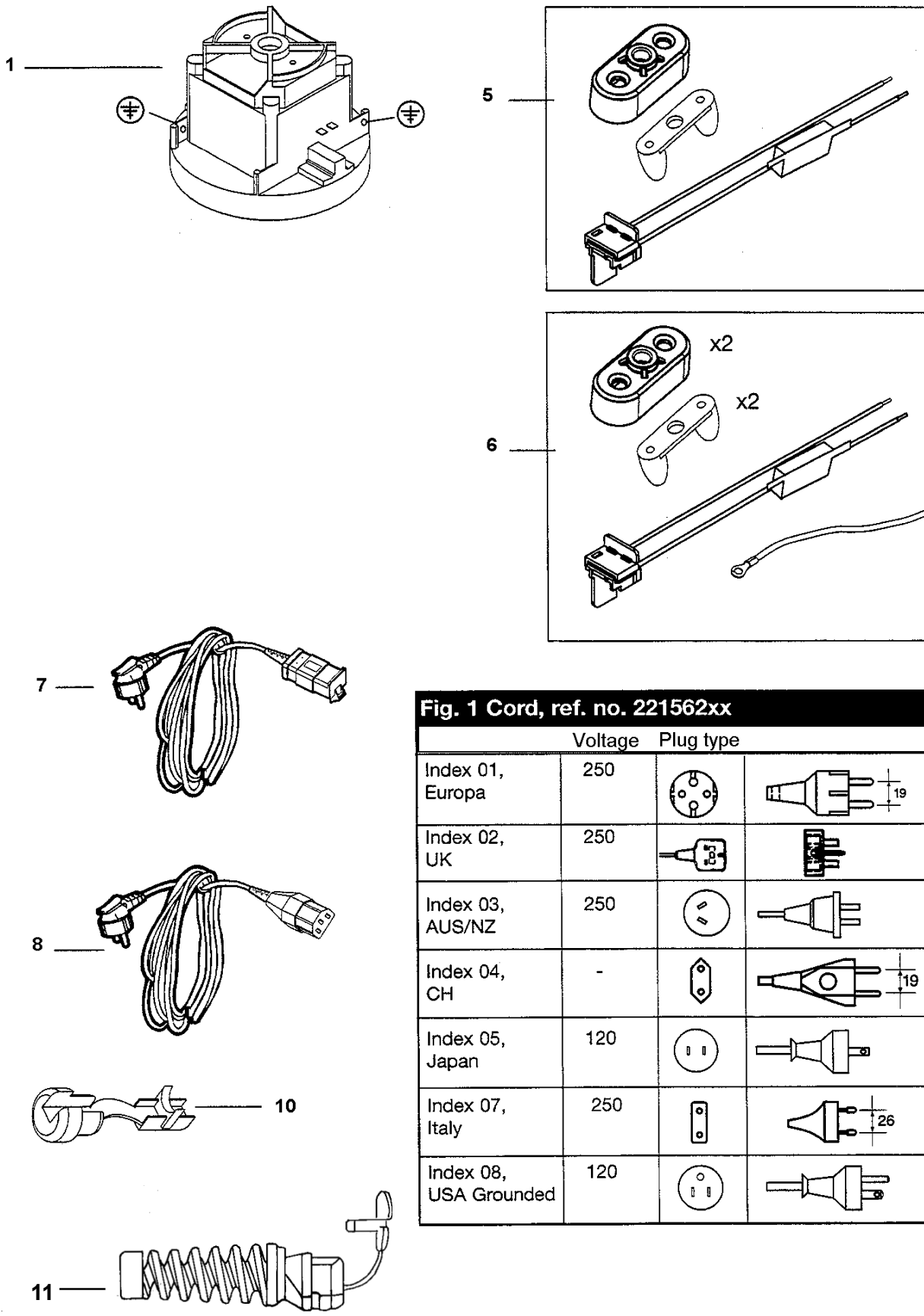


**DESCRIPTION**

**PLAN**

Motors, internal wires and cords	B - 1.9.3 - 2
Container upper parts	B - 1.9.3 - 4
Container lower parts	B - 1.9.3 - 6
Electric unit	B - 1.9.3 - 8
Motorfilter and exhaust filter (Standard and HEPA)	B - 1.9.3 - 10
Nozzles	B - 1.9.3 - 12
Tubes, hose and dust bag	B - 1.9.3 - 14
NilfiskMop	B - 1.9.3 - 16



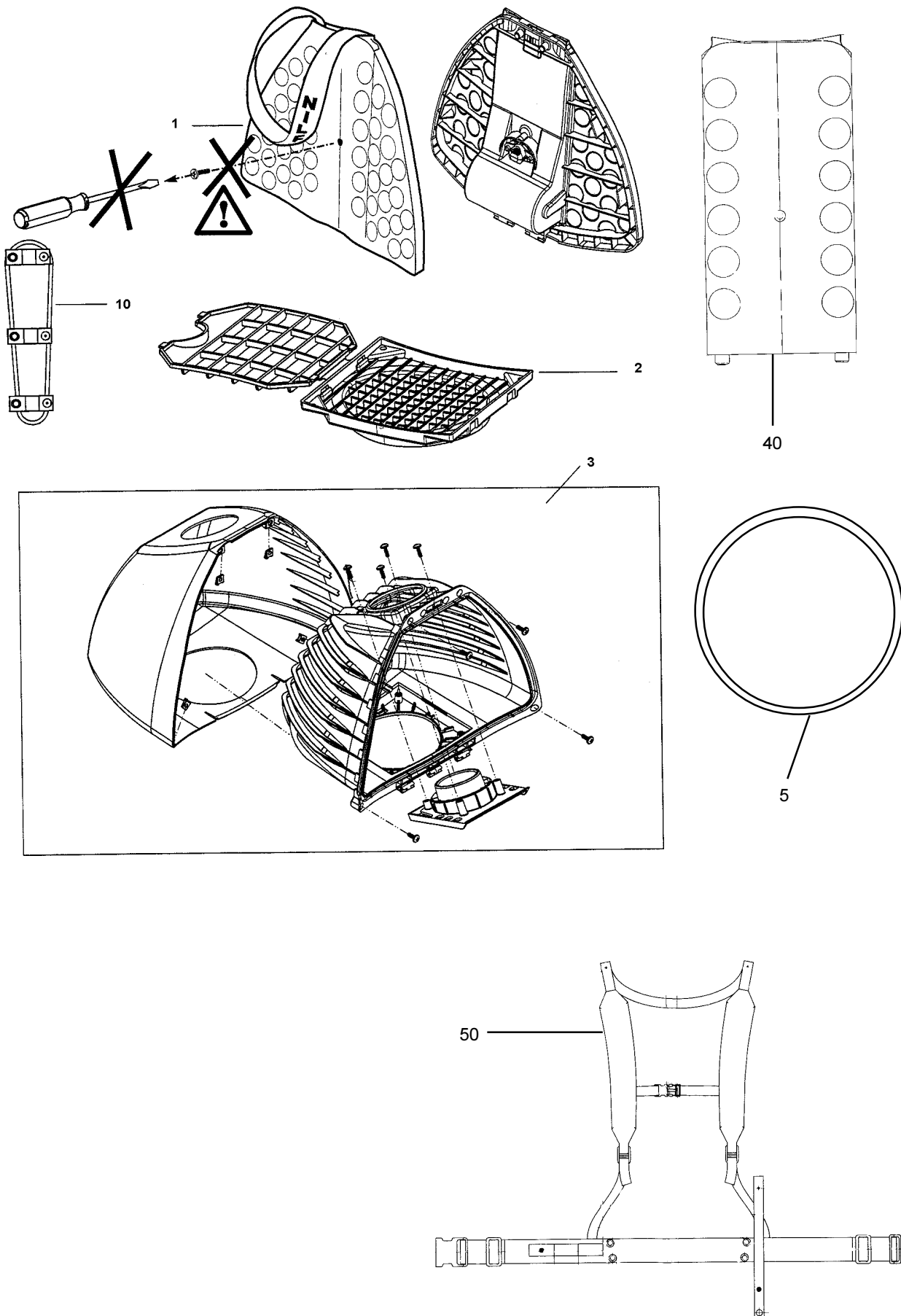
**Fig. 1 Cord, ref. no. 221562xx**

	Voltage	Plug type	
Index 01, Europa	250		
Index 02, UK	250		
Index 03, AUS/NZ	250		
Index 04, CH	-		
Index 05, Japan	120		
Index 07, Italy	250		
Index 08, USA Grounded	120		

Item	Ref.No.	Qty.	Description	Note	EAN code 5715492+
1			Motor/fan unit for:	Mat.: plast and steel	
	12125005	1	220-240V, 50-60Hz, 1200W		+003013
	12125003	1	110-120V, 50-60Hz, 1000W		+003020
	12125003	1	100V, 50-60 Hz, 850W		+003020
	22240600	1	110-120V, 50-60Hz, 1000W grounded		+008490
2	P 22209500	1	Motor housing cpl. with motor/fan unit 220-240V, 50-60Hz 1200W	Mat.: EPDM rubber Housing: PPO	+007790
5	22200300	1	Internal wire kit thermo switch and cable relief.	Mat.: PVC and copper, PP	+006793
6	22200301	1	Internal wire kit for for grounded version, with thermo switch and cable relief	Mat.: PVC and copper, PP	+008308
7	221562xx	x	Cord with plug and socket. Length=15m	Mat.: PVC and copper Colour:Black	
	22156201	1	EU version (Schuko)		+006816
	22156202	1	UK version		+006823
	22156203	1	Australlia, New Zealand		+006830
	22156204	1	Switzerland		+006854
	22156205	1	US, Canada, Japan		+006861
	22156206	1	Without plug		+006878
	22156207	1	Italy		+006878
8	22156208	1	Cord cpl. US, grounded		+008285
	140 7679 000	1	Cord set US, 16 AWG grounded		7319519509762
	>> 140 8037 000	1	Cord cpl. US, grounded for new generation		7319519609233
			<b>Cord set 15 m straight into machine - for NG machines</b>		
	>>140 6676 020	1	Cord cpl. AU/NZ, for new generation		7319519399820
	>>140 6423 120	1	Cord cpl. CH, for new generation		7319519396355
10	P 82157300		Strain relief bush		+008285
11	140 7688 000		Protection sleeve w. anti strain		7319519511741

>> Means: New or changed ref. number or/and changed/new specifications

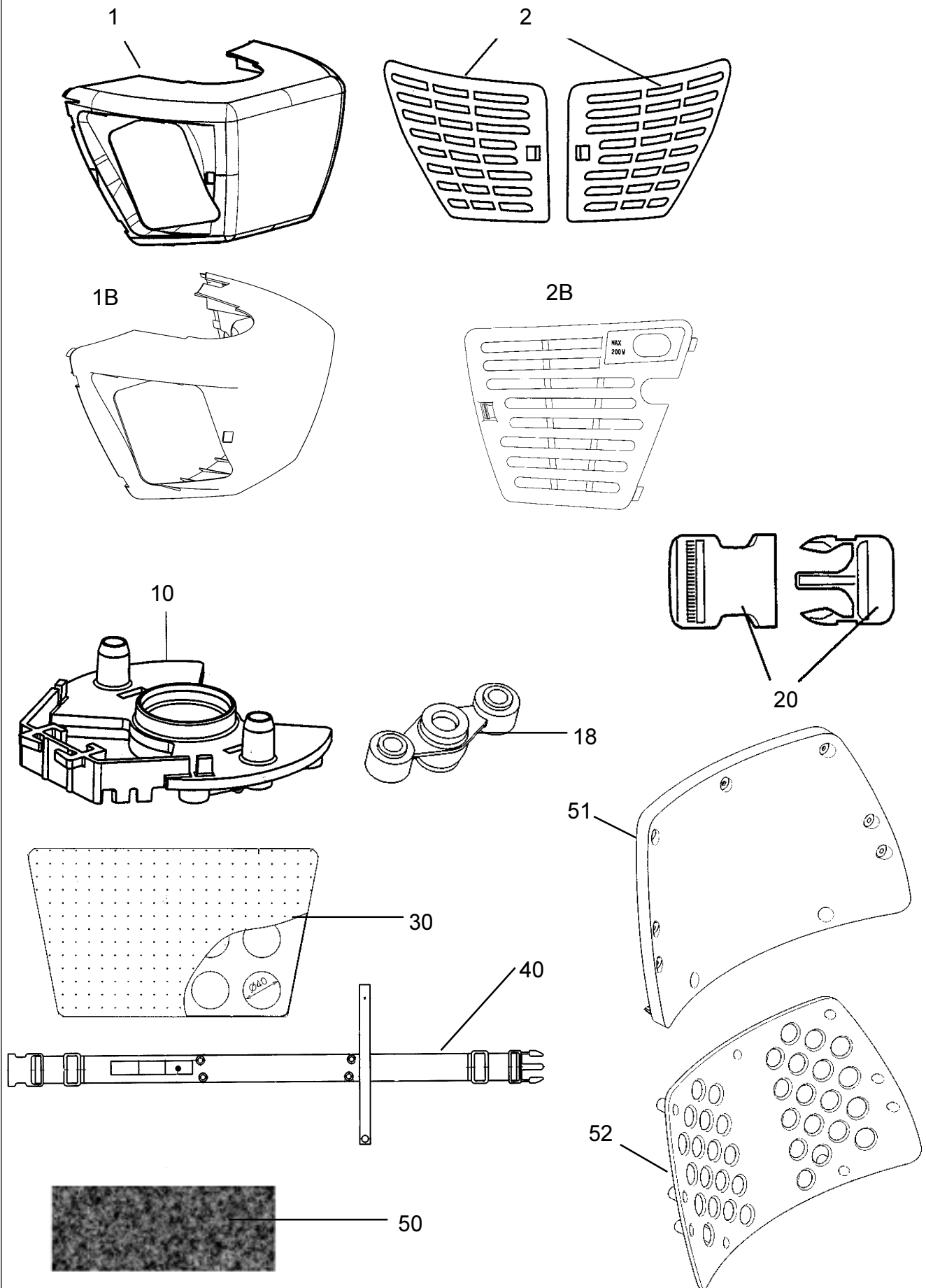
P Means: Depleted when no longer on stock



<b>01-12</b>	<b>CONTAINER SERVICE KIT</b>	<b>BOOK B</b>		
<b>02-05</b>	<b>UPPER PART BACK-PACK VACUUM CLEANER</b>	<b>B</b>	<b>1.9.3</b>	<b>5</b>

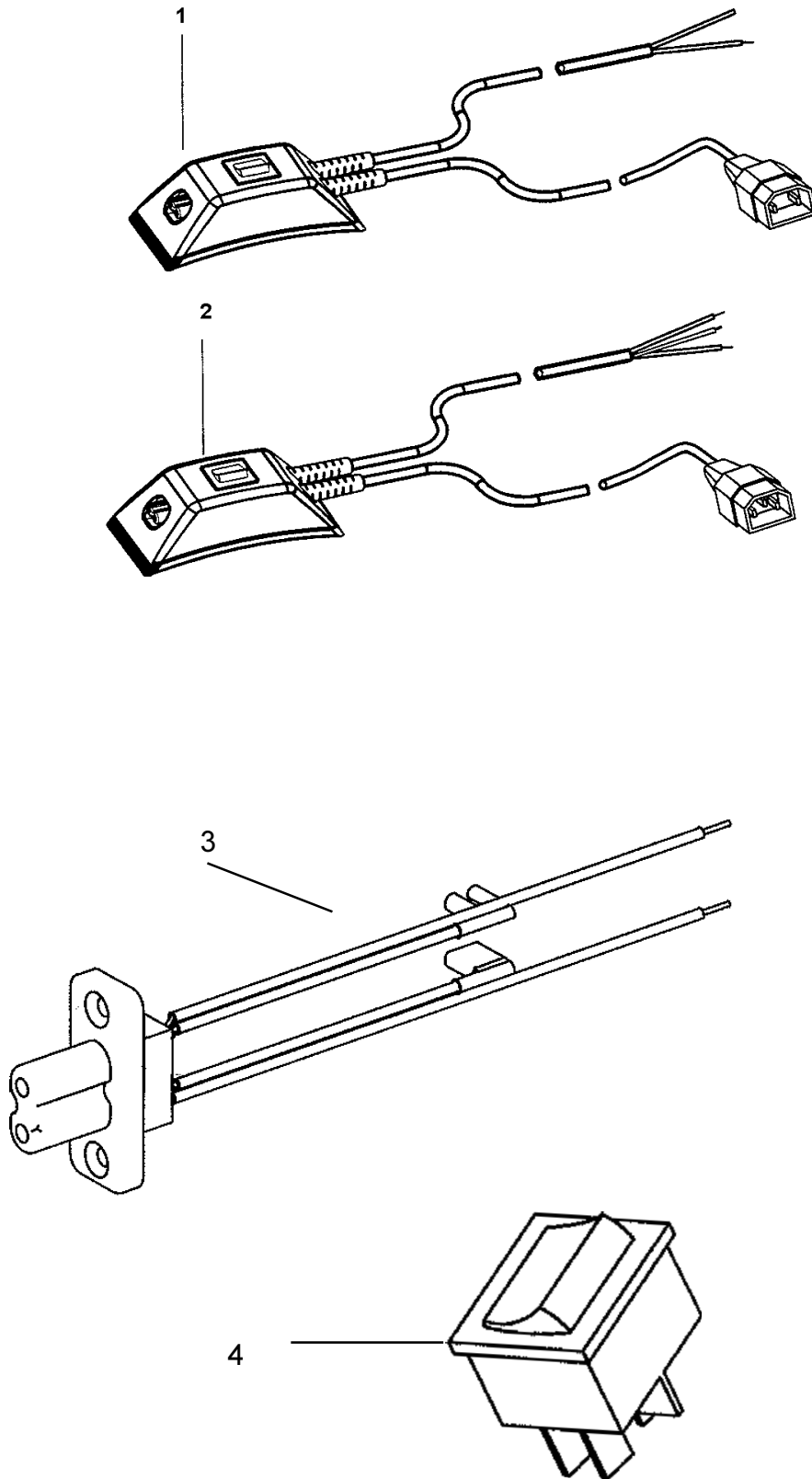
<b>Item</b>	<b>Ref.No.</b>	<b>Qty.</b>	<b>Description</b>	<b>Note</b>	<b>EAN code 5715492+</b>
1	22197300	1	Dust chamber lid complete	Mat.: ABS grey RAL 7001	+006694
2	22199100	1	Frame for main filter complete		+006755
3	22209600	1	Dust chamber complete	Mat.: ABS	+007806
5	>>62152700	1	Gasket, for dust chamber	Length:790mm	7319519494006
10	22221800	1	Shoulder pad, 2 pcs.		+007400
40	82153800	1	Cover f. dust chamber lid	Mat.:ABS grey RAL 7001	7319519493160
50	>> 140 7863	510	Fixed straps, kit For converting from mobile straps to fixed straps & for a replacement of fixed straps.	Mat.:Polyprop.	7319519613254

>> Means: New or changed ref. number or/and changed/new specifications



<b>01-03</b>	<b>CONTAINER SERVICE KIT</b>	<b>BOOK B</b>		
<b>01-06</b>	<b>LOWER PART BACK-PACK VACUUM CLEANER</b>	<b>B</b>	<b>1.9.3</b>	<b>7</b>

<u>Item</u>	<u>Ref.No.</u>	<u>Qty.</u>	<u>Description</u>	<u>Note</u>	<u>EAN code 5715492+</u>
1	22200600	1	Motor housing cover	Mat.: ABS colour: grey, RAL 7001	+006809
1b	140 8031 000	1	Motor housing cover f. 905 56xx yyy machines	Mat.: ABS colour: grey, RAL 7001	7319519513028
2	22197500	1	Grid,one left and one right	Mat.: ABS colour:grey RAL 7001	+006700
2b	140 8030 000	1	Grid, right w.hole f. outlet f. 905 56xx yyy machines	Mat.: ABS colour:grey RAL 7001	7319519513059
10	22199000	1	Motor suspension		+006748
18	82157400	1	Rubber suspension	Mat.: Rubber type S8R	7319519492941
20	22200100	1	Buckles male/female complete	Mat.: PP colour:black	+006786
30	140 7934 000		Mesh cushion cpl. With velcro tape	Mat.: Polyester Airmesh and hard foam. colour:black	7319519509205
40	82152500		Belt cpl.	Mat.; Polypr. web. Eylet; bronze + nickel coated	7319519492781
50	140 7975 000		Heat reflector, for the back cover	Mat.;Recfoam polyester, LBR Tape Standard from serial number 002200001	7319519510874
51	140 7969 000		Back Plate	Mat.; ABS Cycolac S701 colour: grey RAL 7001	7319519511772
52	140 7949 000		Distance Plate	Mat.; ABS Cycolac S701 colour: grey RAL 7001	7319519511765

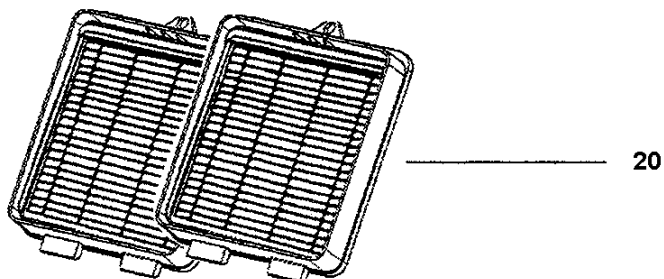
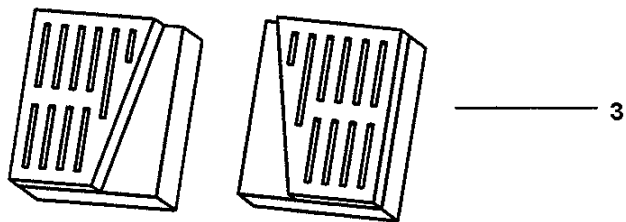
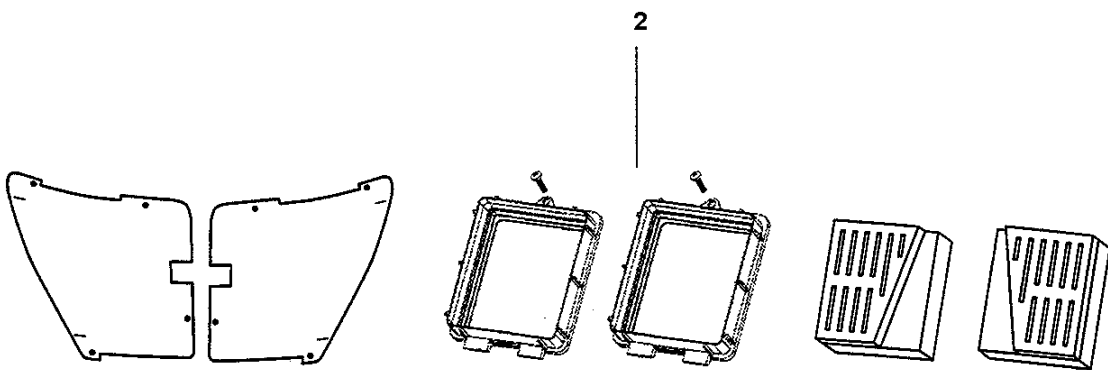
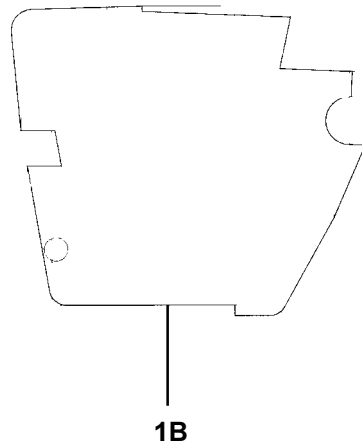
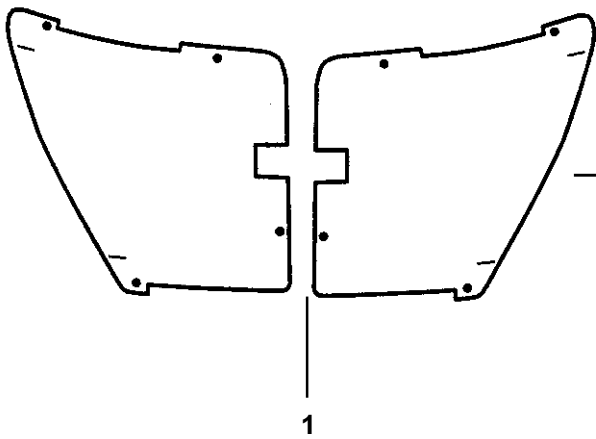




<b>01-03</b>	<b>CONTAINER SERVICE KIT</b>	<b>BOOK B</b>		
<b>01-06</b>	<b>ELECTRICAL UNIT, BACK-PACK VACUUM CLEANER</b>	<b>B</b>	<b>1.9.3</b>	<b>9</b>

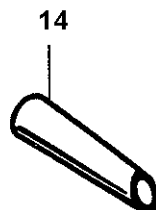
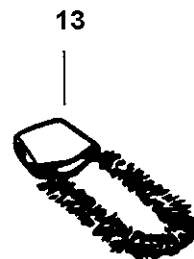
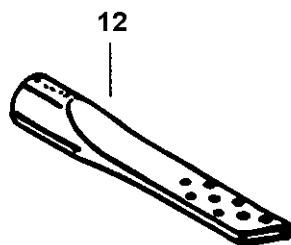
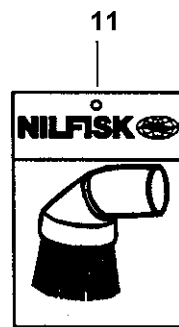
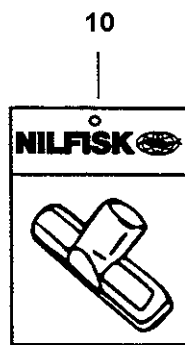
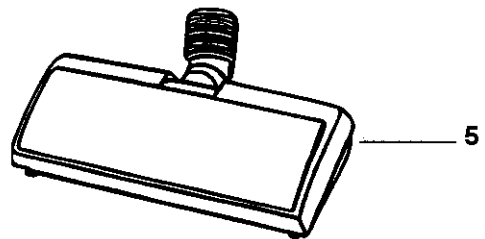
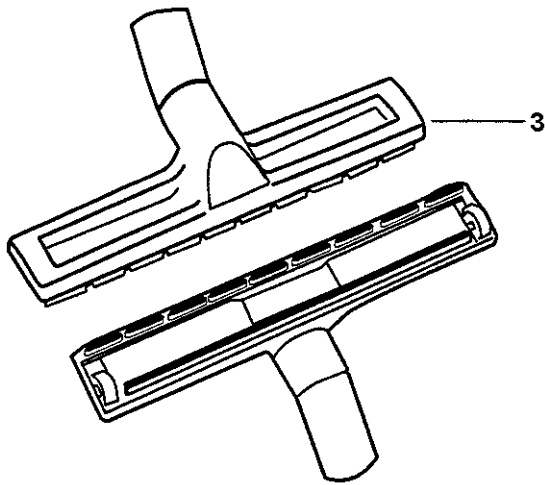
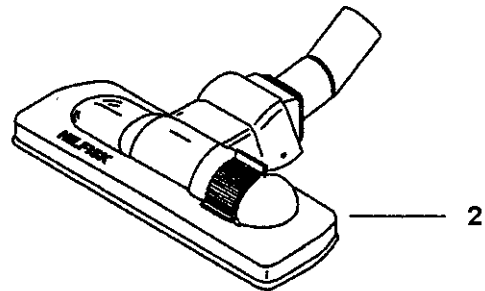
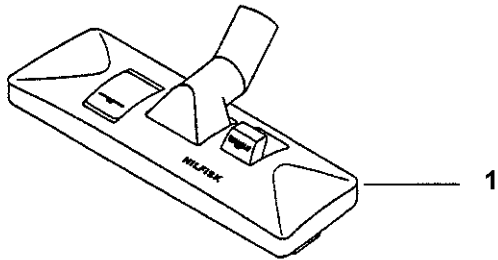
<u>Item</u>	<u>Ref.No.</u>	<u>Qty.</u>	<u>Description</u>	<u>Note</u>	<u>EAN code 5715492+</u>
1			Electrical unit, complete	With electrical outlet for electro nozzle colour: grey cord: black	
	22200000	1	EU, UK, AUS/NZ, CH, I version		+006779
	22200001	1	Japan, US double insulated		+007134
2	22200002	1	US, grounded version		+008292
3	140 8036 000	1	Connector Electrical outlet for electro nozzle f. 905 56xx yyy versions w. switch at machine		7319519513011
4	140 5496 000		Switch f. 905 56xx yyy versions w. switch at machine		7319519387117

Means: New or changed ref. number or/and changed/new specifications



<b>01-03</b>	<b>FILTER SERVICE KIT PACK VACUUM CLEANER</b>	<b>BOOK B</b>		
<b>01-06</b>	<b>EXHAUST FILTERS STANDARD/HEPA</b>	<b>B</b>	<b>1.9.3</b>	<b>11</b>

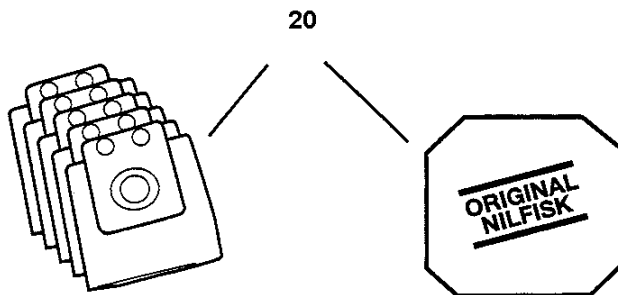
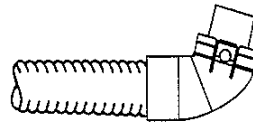
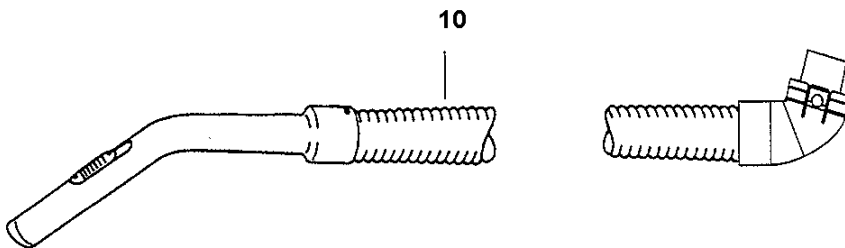
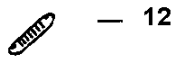
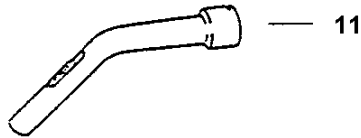
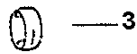
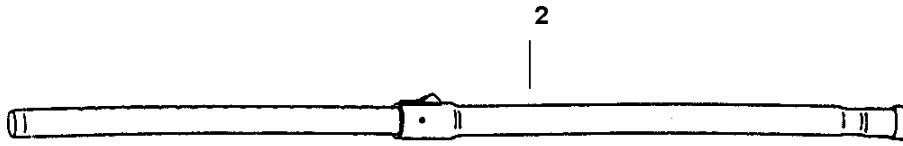
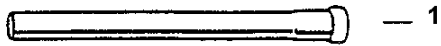
<b>Item</b>	<b>Ref.No.</b>	<b>Qty.</b>	<b>Description</b>	<b>Note</b>	<b>EAN code 5715492+</b>
1	22198501	1	Exhaust diffuser filter		+008650
1B	140 8038 000	1	Exhaust diffuser filter Only for the right side	Only f. 905 56xx yyy versions	7319519513042
2	22244300	1	Conversion kit for sound suppressors Left and right. (Only for models before 1.april 1999)		+008667
3	22244400	1	Sound suppressors Left and right (Only for models after 1 april 1999)		+008674
20	22197900	1	Exhaust HEPA filter (two filters)	Area:1300 cm <sup>2</sup> Filtration: H13	+006717



**01-03****ACCESSORIES Ø32MM****BOOK B****01-06****NOZZLES, BACK-PACK VACUUM CLEANER****B****1.9.3****13**

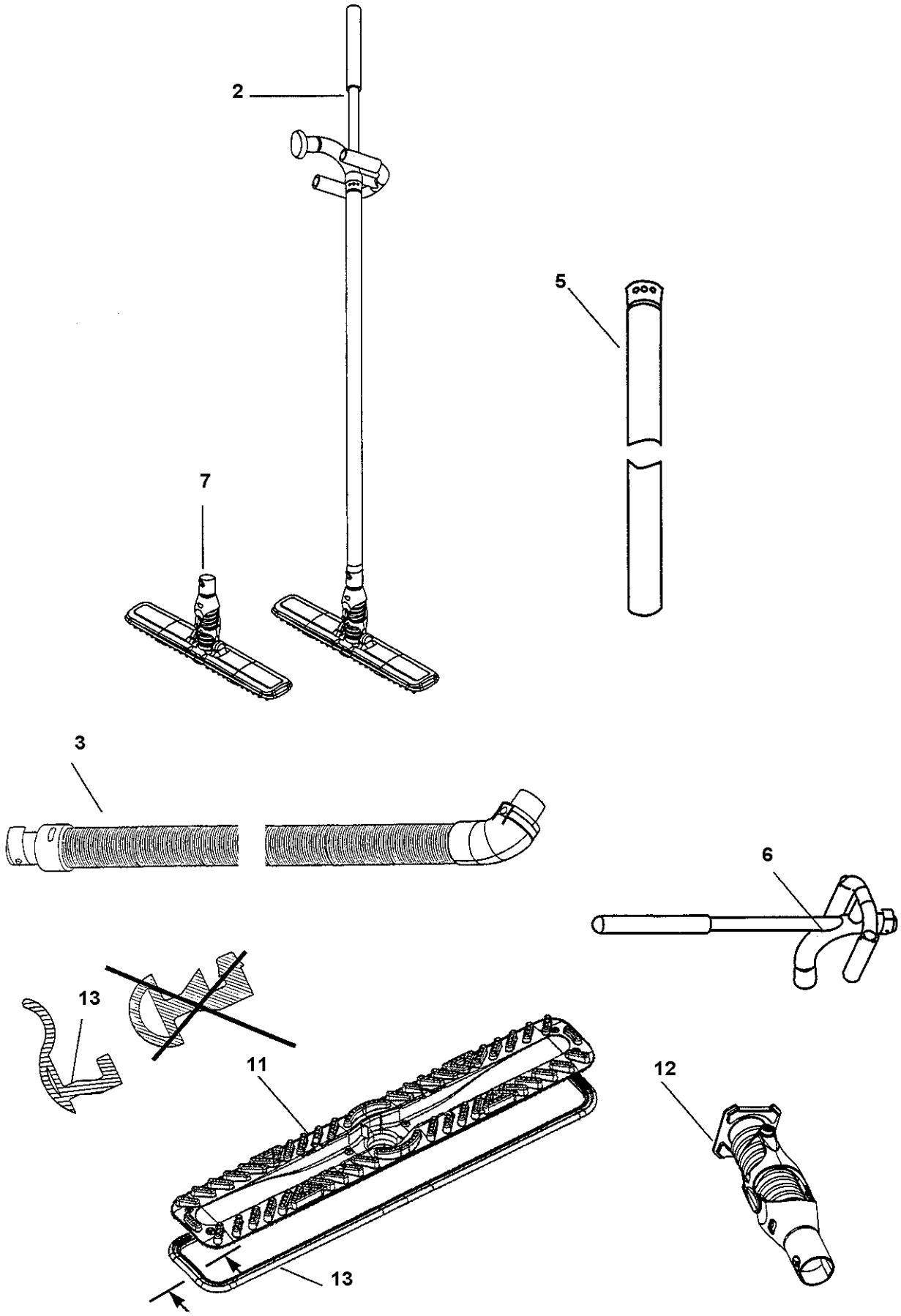
Item	Ref.No.	Qty.	Description	Note	EAN code 5715492+
1	11980300	1	Combi nozzle 2732	Plastic	+002221
2	12041000	1	Roller combi nozzle 3032	Plastic	+002573
3	22149100	1	Hard floor nozzle, wheel with stationary brush 3032	Body: Plastic PP	+005888
5	22203000	1	Electro nozzle, 2832	Mat:PA, ABS colour: grey, RAL 7001 width: 280 mm	+006908
10	32043700	1	Upholstery nozzle with insertion	Plastic width 130 mm	+002658
11	11276902	1	Round brush, turnable with black natural britles width 70 mm packed in a plastic bag		+005451
	22103600	1	Round brush, turnable blue bristless polyester PBT, width 70 mm, for alergic applications. Packed in a plastic bag.		+002726
12	81530400	1	Crevice nozzle, width 245 mm	Plastic	
13	11530500	1	Brush for crevice nozzle	Plastic/steel	
14	81140900	1	Flexible nozzle, length 150 mm	Plastic	
15	22365000		Drive belt and roller brush set.		

&gt;&gt; Means: New or changed ref. number or/and changed/new specifications



**01-03****ACCESSORIES Ø32MM****BOOK B****01-06****TUBES, HOSE AND DUST BAG.****B****1.9.3****15**

<b>Item</b>	<b>Ref.No.</b>	<b>Qty.</b>	<b>Description</b>	<b>Note</b>	<b>EAN code 5715492+</b>
1	11112401	1	Tube, standard length 560 mm	Steel	
	11182500	1	Tube, length 200 mm	Steel	
	11262400	1	Tube, length 1000 mm (leight weight for overhead cleaning)	Aluminium	
2	81906500	1	Tube, telescopic. Length max 1130 mm	Steel	
3	81192100	1	Friction ring	Plastic	
10	22199500	1	Hose plastic with coupling and curved tube. Length 1150 mm	Plastic	+006762
11	21640503	1	Tube, curved length 320 mm	Plastic	
12	81640602	1	Atmos, valve	Plastic	
20	22198000	1	Dust bag, 5 pcs. packed with one prefilter in a plastic bag		+006724
21	82154600	1	Prefilter		7319519493443





**01-03****ACCESSORIES BACK-PACK CLEANER****BOOK B****01-06****NILFISKMOP™****B****1.9.3****17**

<b>Item</b>	<b>Ref.No.</b>	<b>Qty.</b>	<b>Description</b>	<b>Note</b>	<b>EAN code 5715492+</b>
1	17830006	1	Mop without hose Tube length = 800mm (small) height of person = 150 -165 cm		+005529
	17830007	1	Mop without hose Tube length = 1000 mm (medium) height of person = 165-180 cm		+005536
	17830008	1	Mop without hose Tube length = 1180 mm (large) Height of person = more then 180 cm		+005543
3	22202200	1	Hose plastic with bayonet coupling and muff for mop, length = 1150 mm		+006915
5	62188100	1	Tube length 800 mm		+005895
	62188200	1	Tube length 1000 mm		+005901
	62188300	1	Tube length 1180 mm		+005918
6	62188400	1	Handle		+005925
7	22201800	1	Mop nozzle		+006892
11	22144600	1	Foot plate with fender		+005628
12	22144300	1	Flexible neck		+005635
13	22145500	1	Fender list		+007462