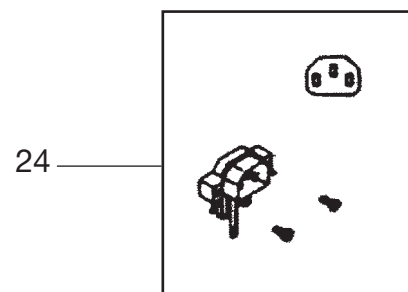
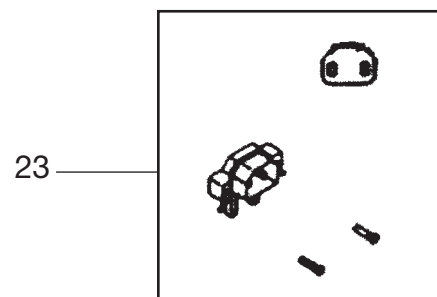
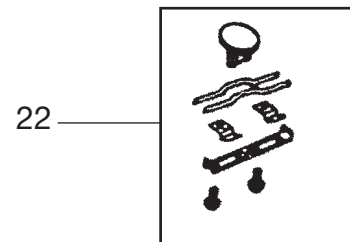
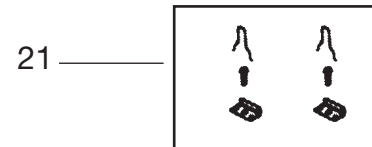
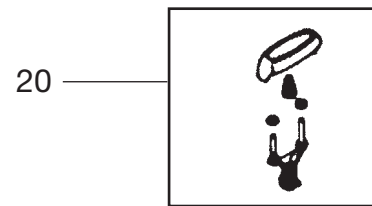
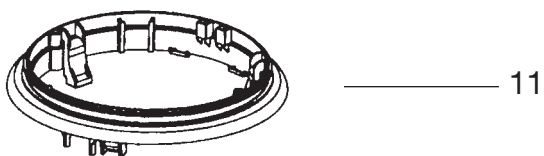
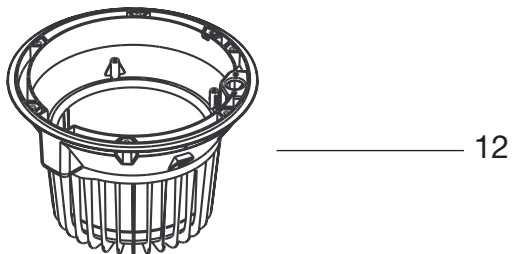
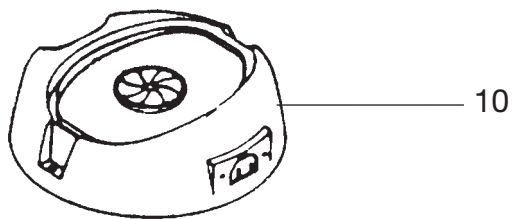
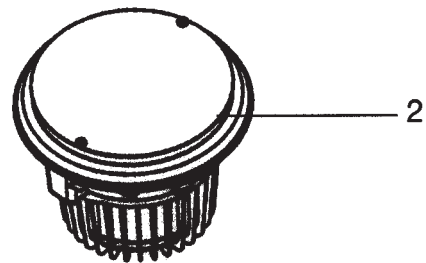
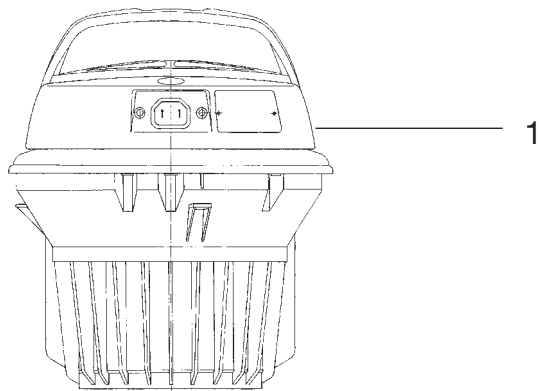
**DESCRIPTION****PLAN**

DESCRIPTION	PLAN
Motor head, all models	G - 2.3.3 - 2
Motor and on/off switch	G - 2.3.3 - 4
Cords	G - 2.3.3 - 6
Exhaust filters, sound suppressor	G - 2.3.3 - 8
Diffuser, motor filter and handle	G - 2.3.3 - 10
Container	G - 2.3.3 - 12
Filters	G - 2.3.3 - 14
Filters	G - 2.3.3 - 16
Trolley	G - 2.3.3 - 18
Trolley	G - 2.3.3 - 20
Blowing attachment and manometer	G - 2.3.3 - 22
Dust bag system	G - 2.3.3 - 24
Tool box	G - 2.3.3 - 26
Fixed floor nozzle, 750mm	G - 2.3.3 - 28
Hoses, connections and tubes, 50mm	G - 2.3.3 - 31
Nozzles, 50mm	G - 2.3.3 - 33
Hoses, connections and tubes, 38mm	G - 2.3.3 - 35
Nozles, 38mm	G - 2.3.3 - 37



01-11	MOTOR SERVICE KIT, GS/GM 625	BOOK G		
02-10	MOTOR HEADS, ALL MODELS	G	2.3.3	3

Pos.	Part No.	Qty.	Desc.1	Desc.2,	EAN 005715492+
1	12108127	1	Motor gsp 100v.japan		+004164
1	12108129	1	Motor gsp 110-120v.ul		+004171
1	12108148	1	Motor gsp 200v.japan		+004218
1	12108153	1	Motor gsp 220-240v.eu/aus		+004195
1	12108229	1	Motor gsp w/cord ul		+004188
1	12108253	1	Motor gsp w/cord eu/aus		+004201
1	12108329	1	Motor gspj 110-120v.ul		+004270
1	12108348	1	Motor gspj 200v.japan		+004294
1	12108353	1	Motor gspj 220-240v.aus		+004287
1	12108429	1	Motor gsp 110-120v.ul		+007431
1	12108529	1	Motor gspj 110-120v.ul		
1	12108629	1	Motor gsp w/cord ul		
1	12110127	1	Motor gmp 100v.japan		+004263
1	12110129	1	Motor gmp 110-120v.ul		+004225
1	12110229	1	Motor gmp, fixed cord, ul		+004232
1	12110327	1	Motor gmpj 100v.japan		+004317
1	12110329	1	Motor gmpj 110-120v.ul		+004300
1	12110429	1	Motor gmp 110-120v. ce		
1	12112153	1	Motor gmp 220-240v.eu/aus		+004249
1	12112253	1	Motor gmp m.f.led.220-240		+004256
1	12112353	1	Motor gmpj 220-240v.eu-ud		+004324
10	22232300	1	Top housing for gs/gm	Motors	+007738
11	22232500	1	Support ring for gs/gm	Motors	+007745
12	22231200	1	Bottom housing with valve	For gs/gm motor	+007714
12	22231201	1	Bottom housing with valve	For gs/gm motor ul-appro.	+007721
20	22410500	1	On/off device for gs/gm	Motors	+018055
21	22410400	1	Locking device for handle	Gs/gm motors	+018048
>> 22	20705300	1	Therموالve cpl.		+026241
>> 23	20705400	1	Socket, standard		+026258
>> 24	20705500	1	Socket, grounded		+026265

Note

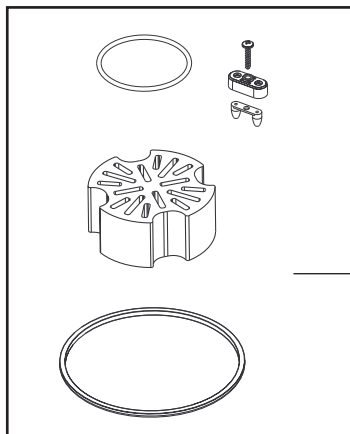
>> means: New or changed ref. no.

G

2.3.3

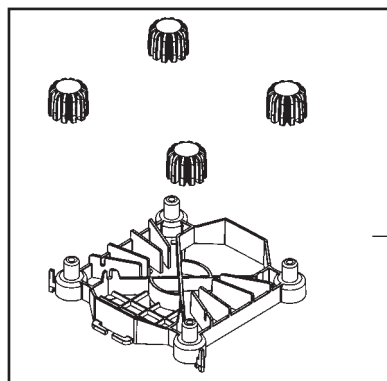
4

MOTOR HEAD, ALL MODELS

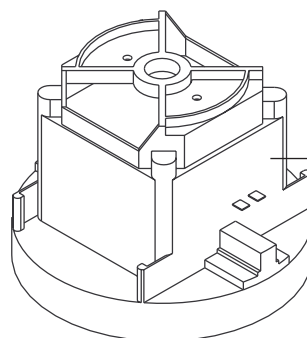


11

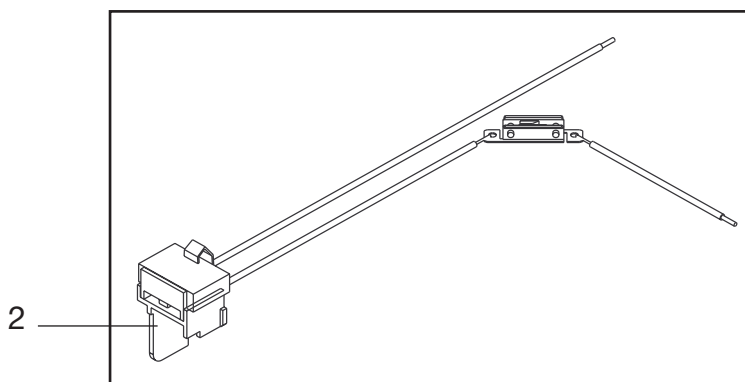
12



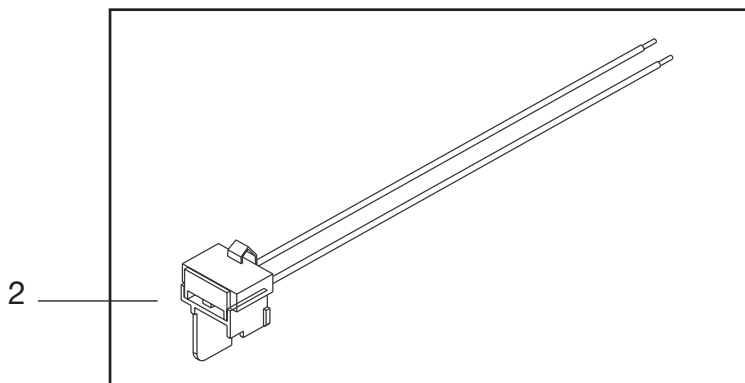
10



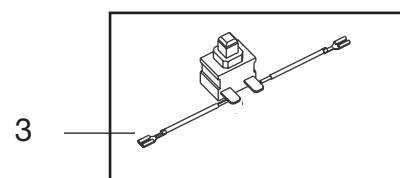
1



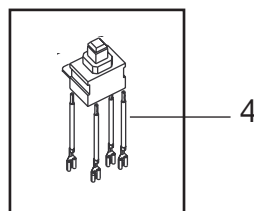
2



2



3



4

01-11	GM 625	BOOK G		
	MOTOR HEAD, ALL MODELS	G	2.3.3	5

Item	Ref.No.	Description	Rated power	Note	EAN code 5715492+
1		Motor/fan unit for:			
	12125002	x 220-240V	900W	GSP	+00 3600
	12125002	x 220-240V	900W	GSPJ	+00 3600
	12125002	x 200V	700W	GSP	+00 3600
	12125002	x 200V	700W	GSPJ	+00 3600
	12125005	x 220-240V	1200W	GMP	+00 3013
	12125005	x 220-240V	1200W	GMPJ	+00 3013
	12125005	x 220-240V	1200W	GMPC	+00 3013
	12125005	x 220-240V	1200W	GMPD	+00 3013
	12125001	x 110-120V	850W	GSP	+00 3594
	12125001	x 110-120V	850W	GSPJ	+00 3594
	12125001	x 100V	700W	GSP	+00 3594
	12125003	x 110-120V	1100W	GMP	+00 3020
	12125003	x 110-120V	1100W	GMPJ	+00 3020
	12125003	x 110-120V	1100W	GMPC	+00 3020
	12125003	x 100V	850W	GMP	+00 3020
	12125003	x 100V	850W	GMPJ	+00 3020
2	22130500	1	Internal wire kit with thermo switch, capacitor and connector. Only UL approved motor heads.		+00 3563
	22130501	1	Internal wire kit with capacitor and connector		+006687
	22130502	1	Internal wire kit with capacitor and connector, for Taiwan		+012626
3	22131100	x	On/off switch, one pole		+00 3570
4	22131200	x	On/off switch, two pole		+00 3587
10	22231100	1	Motor grommets and frame		+007691
11	22365300	1	Sound absorberwith gaskets		+011865
12	22399800	1	Inlet gasket		+014187

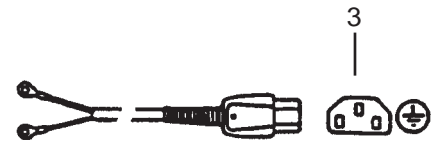
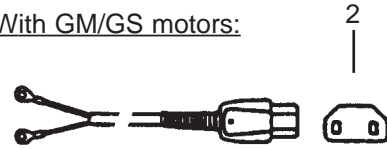
Note

>> means: New or changed ref. no.

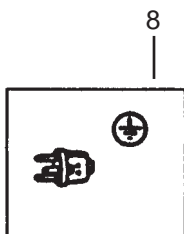
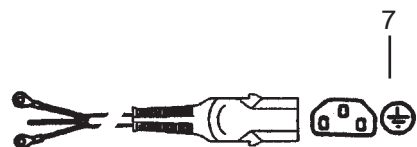
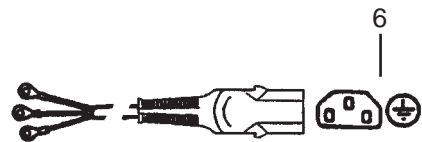
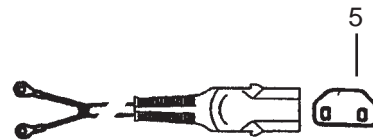
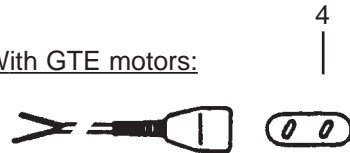


Cords and plugs			
Regional use	Voltage	Plug type	
EU	250		
UK	250		
USA/CAN Grounded	120		

With GM/GS motors:



With GTE motors:

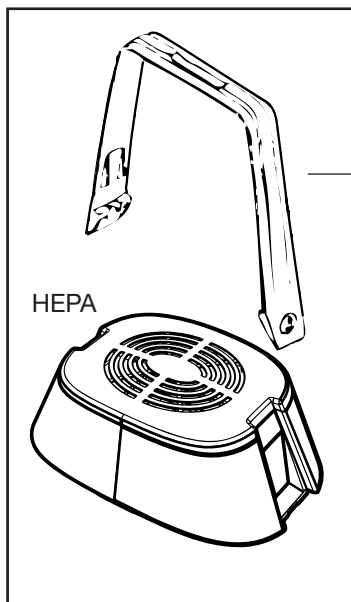
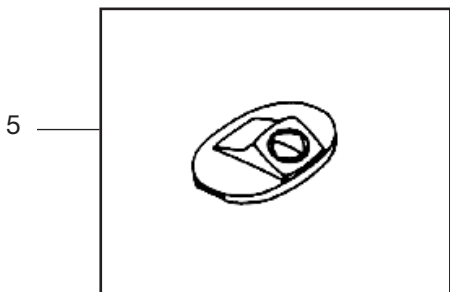
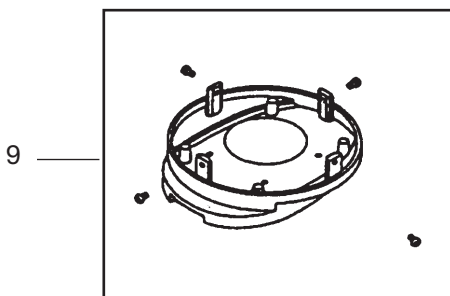
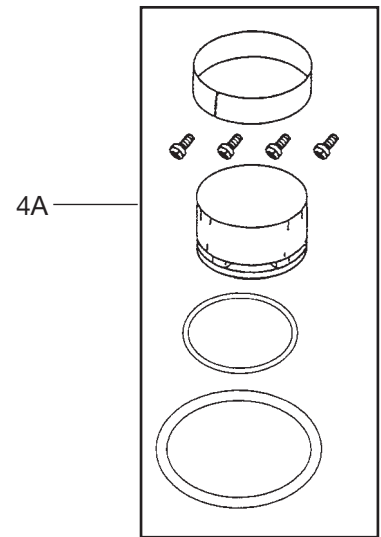
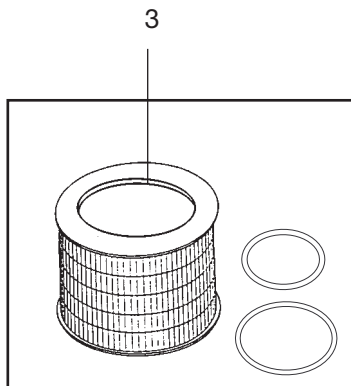
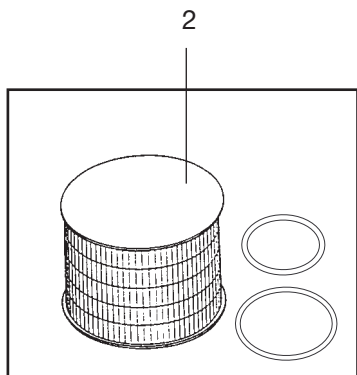
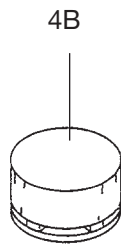
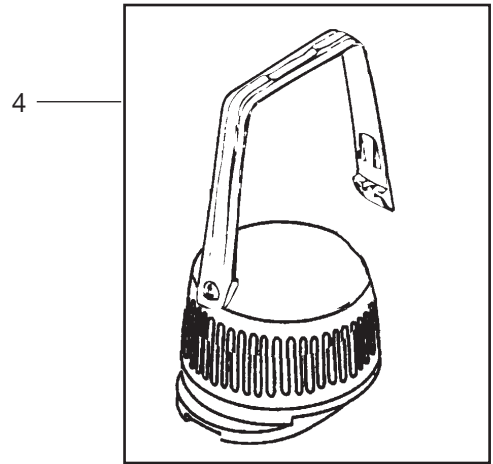
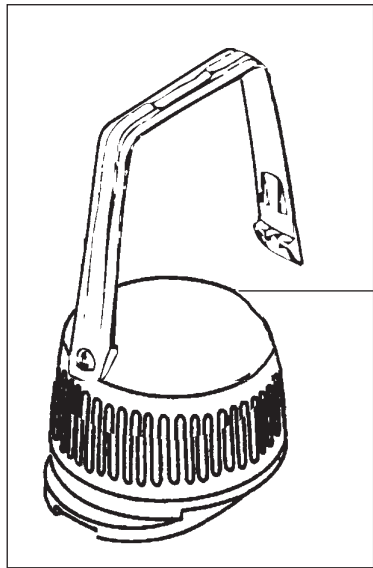


01-11	GM 625	BOOK G		
	MAIN CORDS AND CORDS FROM MOTOR HEAD TO JUNCTION BOX	G	2.3.3	7

Pos	Ref.No.	Qty	Description
1	11746610	1	Cord uk-plug 10m 2x1,0
1	22304900	1	Plug EU 16A/250V
1	22305000	1	Plug US/CAN Grounded
1	22305100	1	Plug EU 10A/250V
1	31546010	1	10,08m H05VV-F2x1,0
1	31597000	1	Cable 20m 2x1,0mm
1	31644410	1	10,08m H05VV-F2x1,5
1	82203700	1	Cord UK 10m H05VV-F2x1,5
1	93701511	1	10,08m H05VV-F2x1,5
2	31529001	1	Ledning 450 mm
2	31529901	1	Cord 325 mm/2x0,75mm
2	31529902	1	Ledning GS82-83
3	31529906	1	Cord Gray 325 mm/3x1 USA
4	31323323	1	Cord 325 mm/2x0,75mm
4	31323423	1	Ledning
5	31529012	1	Cord 600-plug 450mm
5	31529014	1	Cord 600-plug 450mm
6	31529017	1	Cord 710-plug 450mm
7	31529015	1	450mm 3x1,0 con./no plug
8	81366801	1	Plug

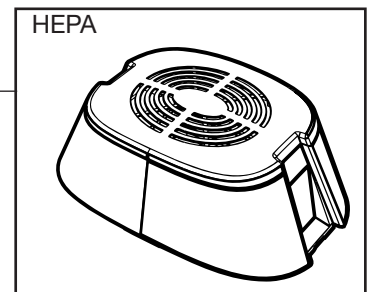
Note

>> means: New or changed ref. no.



6

7



HEPA

01-11	GM 625	BOOK G		
	EXHAUST FILTERS AND SOUND SUPPRESSOR	G	2.3.3	9

Item	Ref.No.	Qty	Description	Desc.2	EAN code
					5715492
1	11731003	1	Exhaust filter kit wo.	Filter w handle + base	+003730
2	21738000	1	Filter element hepa for	Gs/gm motors	+003747
3	21739000	1	Filter element ulpa for	Gs/gm motors	+003754
4	11750703	1	Sound suppressor for	Gs/gm motors	+003761
5	11562000	1	Blowing coupling gs/gm 80		+003549
9	22383900	1	Base for filter, kit		+014811
4A	22384100	1	Sound supressor kit for	Gs/gm motors	+014835
4B	21750900	1	Sound cartridge compl. f.	Gs/gm motors	

Note

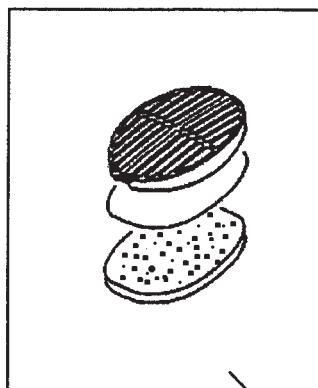
>> means: New or changed ref. no.

G

2.3.3

10

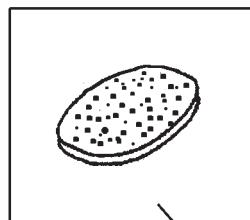
DIFFUSER, FILTER



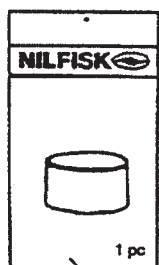
1



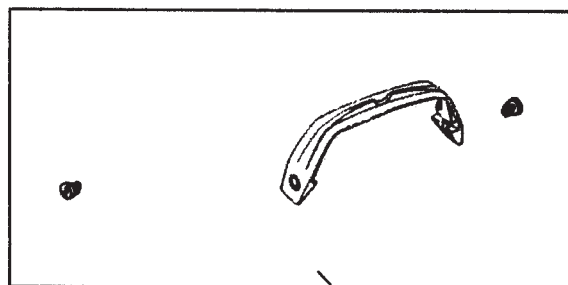
2



10



4



5

01-11	GM 625	BOOK G		
	DIFFUSER, FILTER	G	2.3.3	11

Item	Ref.No.	Qty	Description	Note	EAN code 5715492+
1	21573001	1	Exhaust with diffuser		001033
2	11693700	1	Diffuser filters 2 pcs		005994
4	11730400	1	Motor protection filter		173044
5	22132000	1	Handle complete		003532

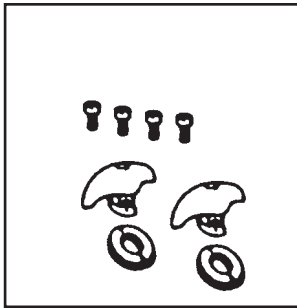
G

2.3.3

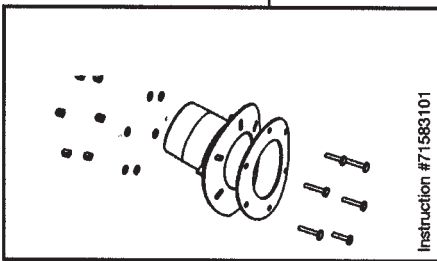
12

CONTAINER

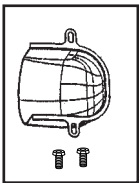
1



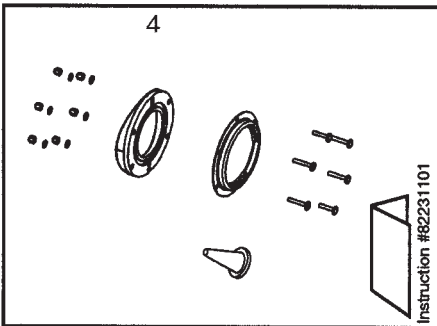
2



3

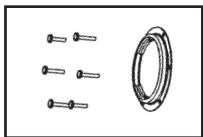


4

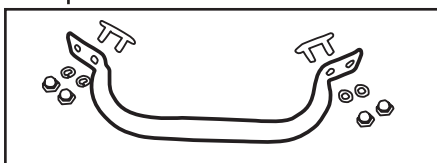


Instruction #82231101

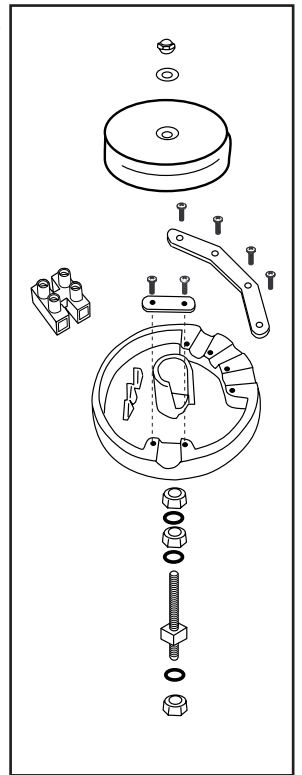
13



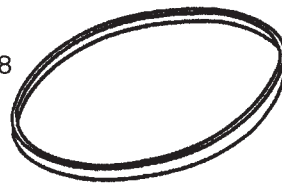
15



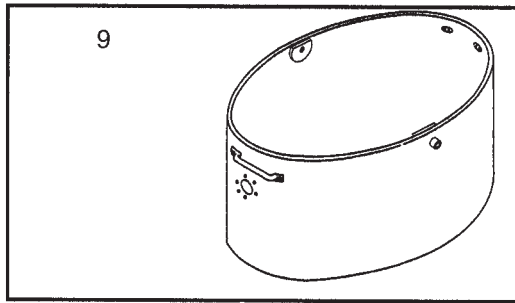
14



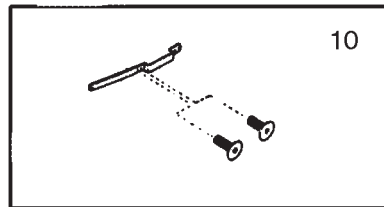
8



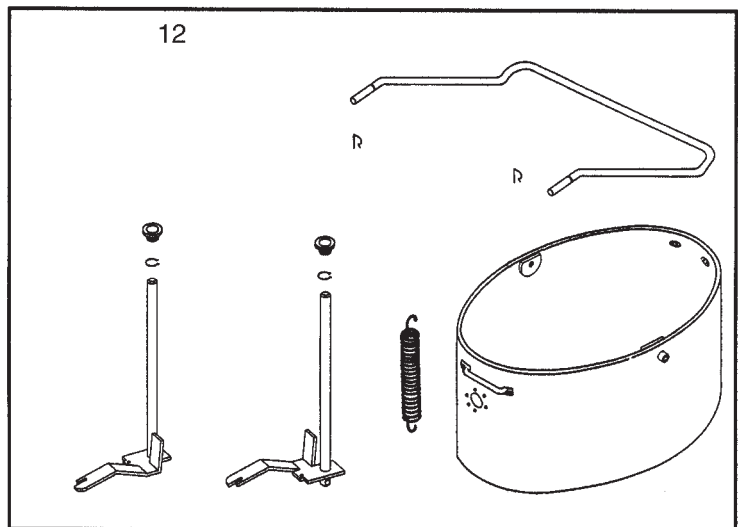
9



10



12

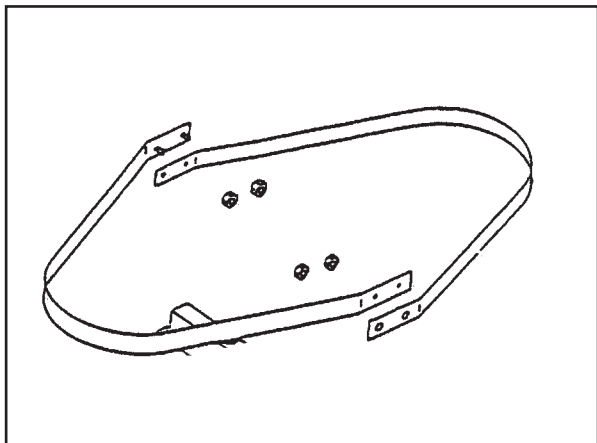


01-11	GM 625	BOOK G		
02-05	CONTAINER	G	2.3.3	13

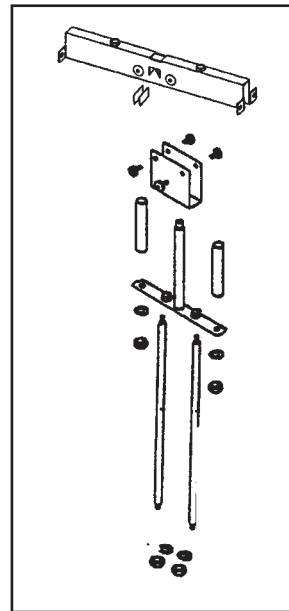
Pos	Item No.	Qty.	Description
1	32211800	1	LOCK FOR MOTOR HEAD GS/GM MOTORS
2	21582901	1	INLET TUBE FOR DUST BAG KIT
3	71712801	1	DEFLECTOR ý50
4	32211201	1	BAYONET COUPLING KIT 50MM KIT
>> 8	71653000	1	SEALING RING FOR CONTAINER
9	32208700	1	BIN W.LIFT FITTINGS 46L W.O. INLET FITTINGS
10	22421100	1	LIFT UP FITTINGS
12	32214400	1	CONVERSION KIT CONT LIFT
13	22386500	1	BAYONET RING F.INLET 50MM
14	22305500	1	DISTRIBUTORBOX SERVICEKIT
15	22420700	1	HANDLE

Note

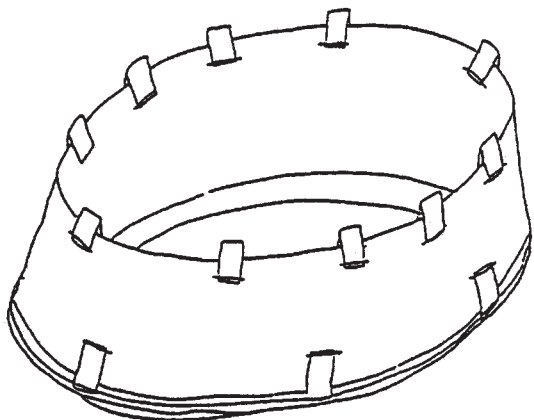
>> means: New or changed ref. nos.



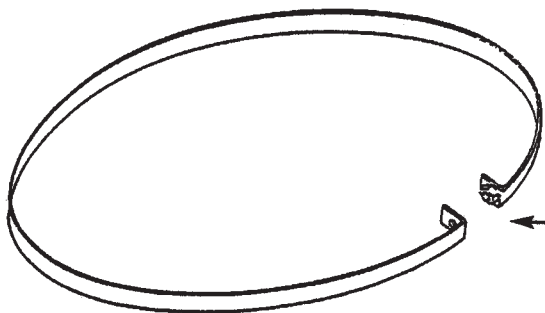
3



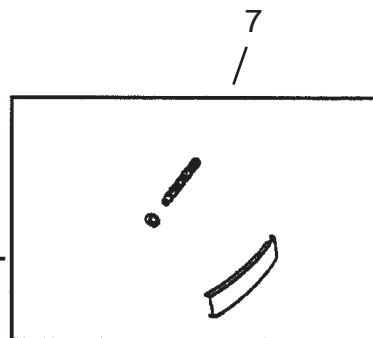
4



5



6

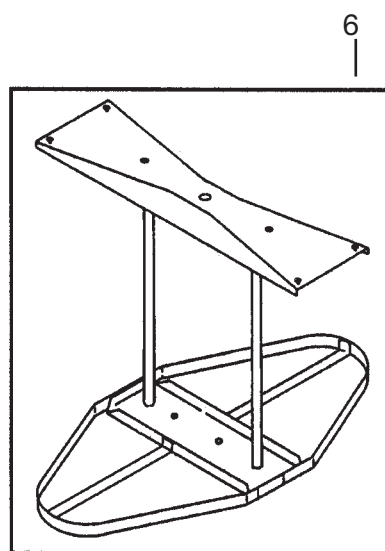
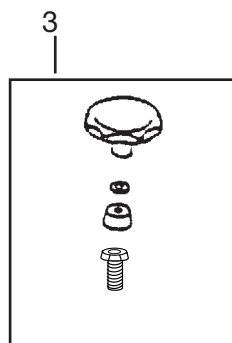
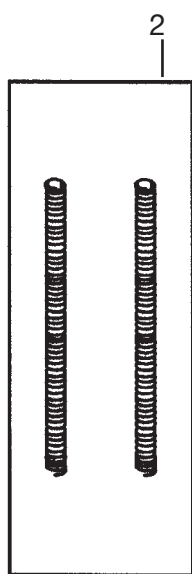
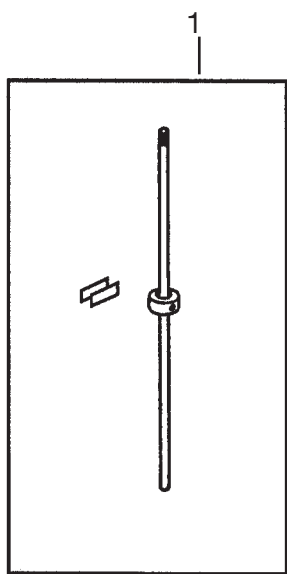


7

01-11	GM 625	BOOK G		
	FILTERS	G	2.3.3	15

Pos.	Part No.	Qty.	Desc.1	Desc.2
3	22416500	1	FILTER SHAKER RING	
4	22416100	2	FILTER SHAKER	
5	61341301	4	COTTON FILTER	
	61909200	1	GORE-TEX FILTER GS82 PES	
	62048200	1	GORE NO-STAT FILTER	
	82243200	1	NOMEX FILTER	
6	22416000	1	FILTER RING	
7	32210800	1	FILTER CLAMP COMPLETE KIT	

Note
means: New or changed ref. nos.



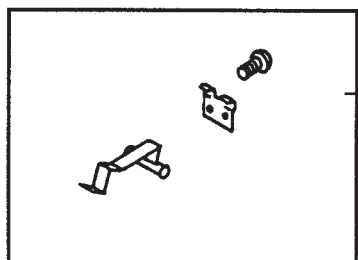
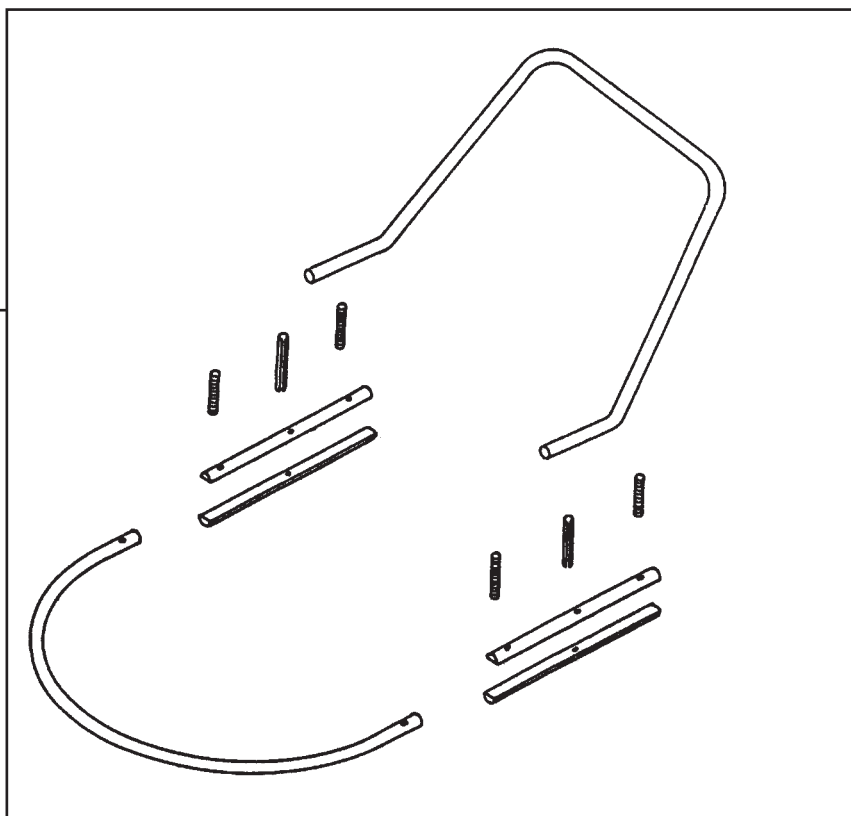
01-11	GM 625	BOOK G		
02-11	FILTERS	G	2.3.3	17

Pos.	Part No.	Qty.	Desc.1	Desc.2	EAN
					005715492
1	32212000	1	Shaft for filter shaker	Kit	
2	32212600	1	Spring f.shakersystem	Gm 625/626 gb 726/826	+021970
>> 3	22396801	1	Shakerhandle w.nipple	Kitset	+026289
6	22322600	1	Crossbracing/filter kit		+010028

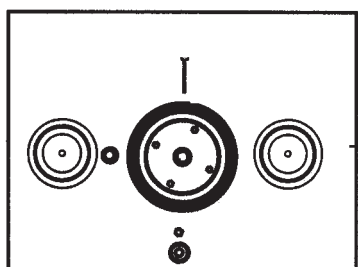
Note

>> means: New or changed ref. nos.

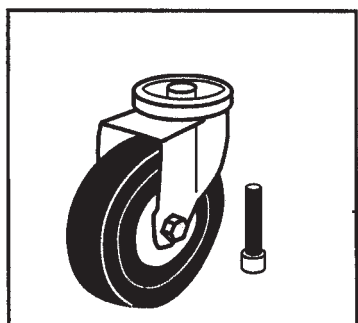
1



2

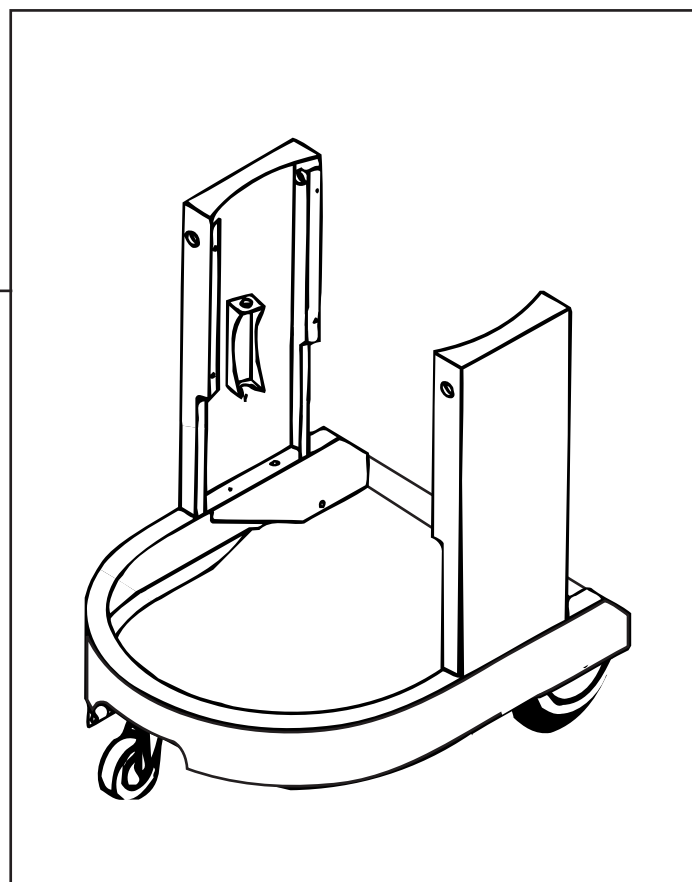


4



5

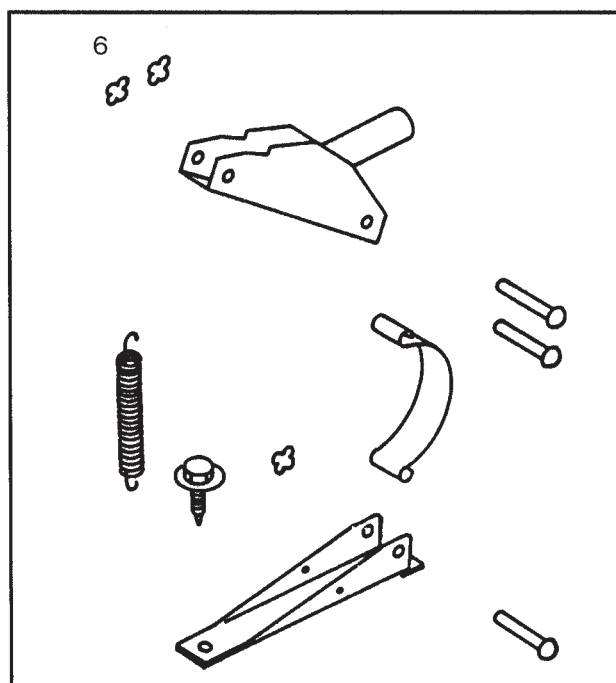
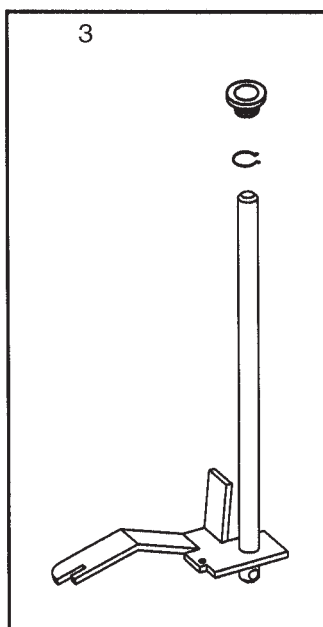
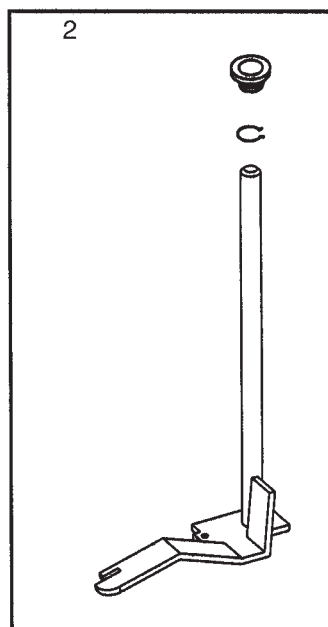
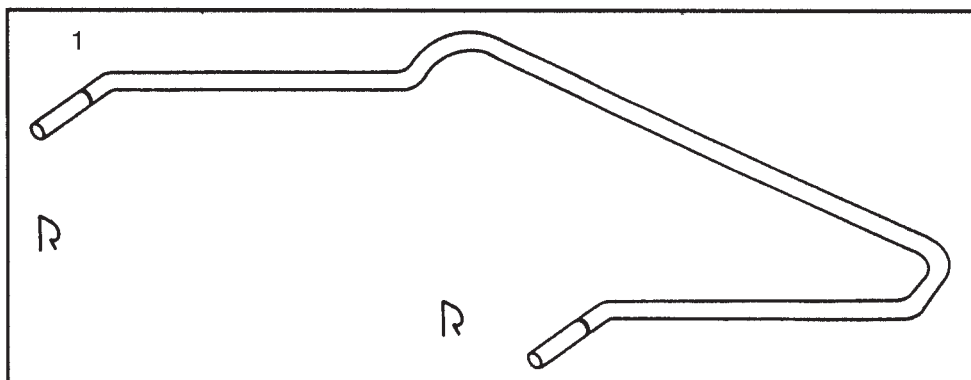
3



01-11	GM 625	BOOK G		
	TROLLEY	G	2.3.3	19

Pos.	Item No.	Qty.	Description
1	22416200	1	Handle, front and rear
2	22416300	1	Holder for nozzle
3	22416400	1	Trolley
4	32213800	1	WHEEL FIXED-KIT
5	32213600	1	SWIVEL WHEEL-KIT

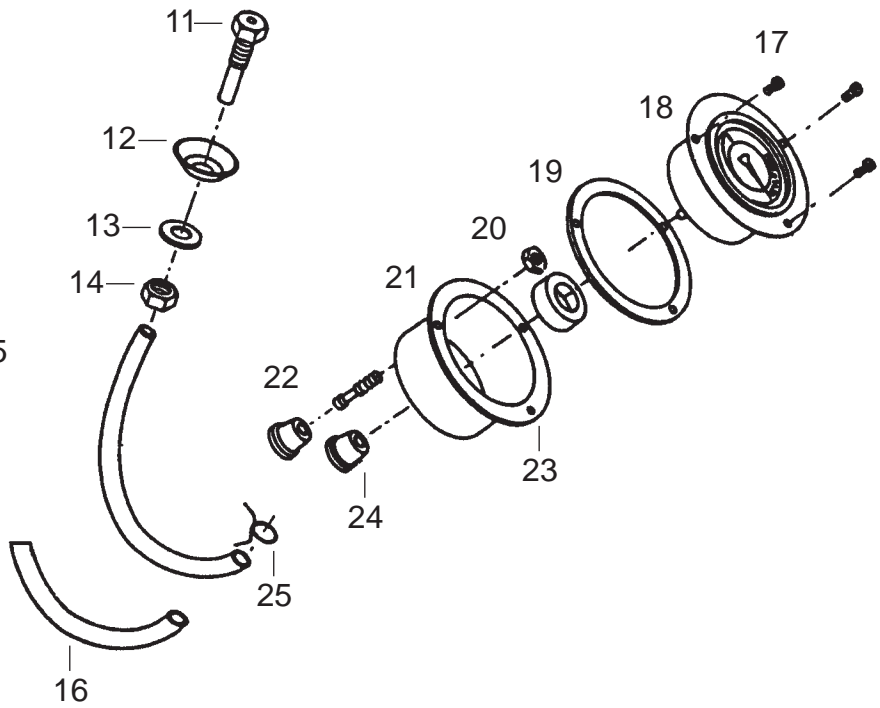
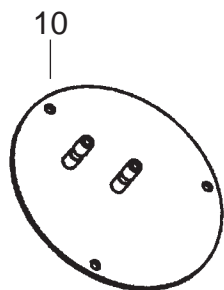
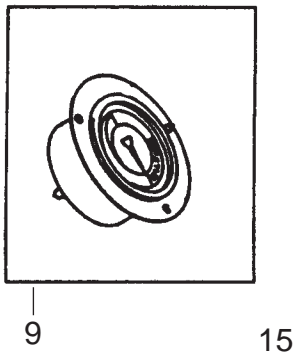
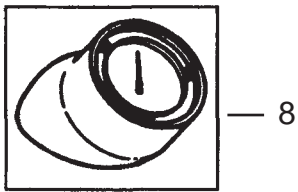
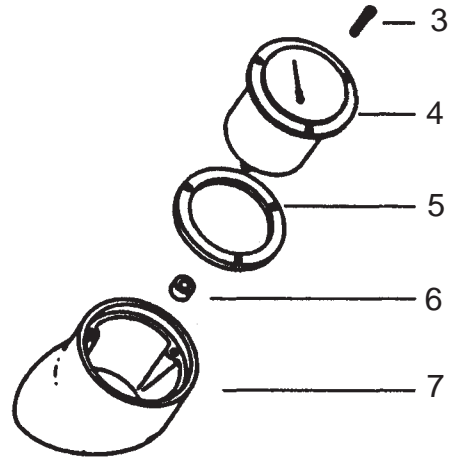
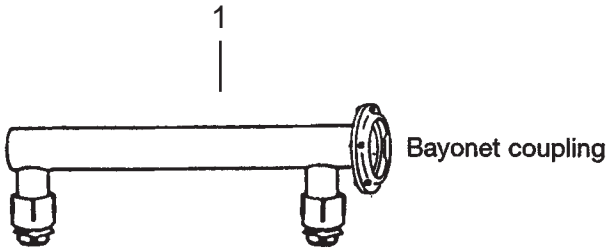
Note
means: New or changed ref. nos.



01-11	GM 625	BOOK G		
	TROLLEY	G	2.3.3	21

Pos.	Item No.	Qty.	Description
1	32213200	1	LEVER ARM COMPLETE-KIT
2	32213000	1	LEFT ARM COMPLETE-KIT
3	32212800	1	RIGHT ARM COMPLETE-KIT
4	81833101	1	SPRING
5	81832700	1	ARM FOR SPRING
6	32213400	1	ROCKER ARM COMPLETE

Note
means: New or changed ref. nos.

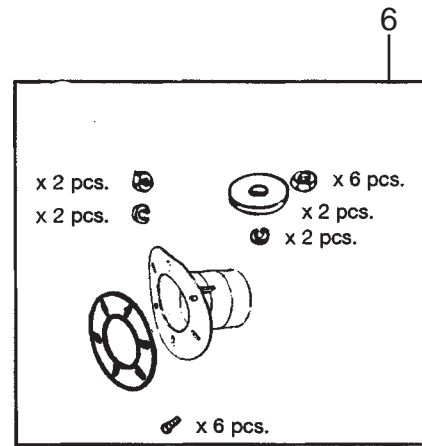
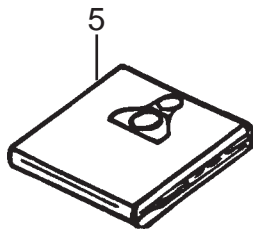
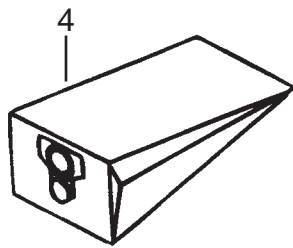
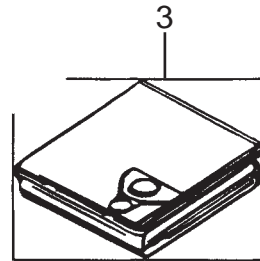
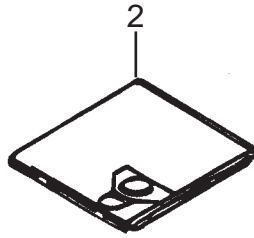
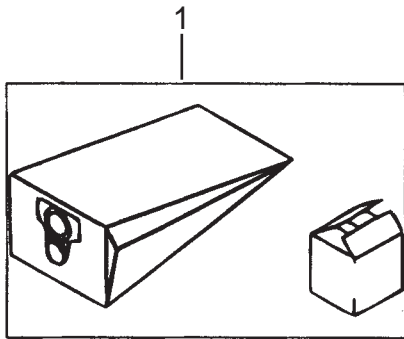


01-11	GM 625	BOOK G		
	BLOWING ATTACHMENT AND MANOMETERS	G	2.3.3	23

Item	Ref.No.	Qty	Description
1	11575600	1	Blowing attachment 50mm
2	11562000	1	Blowing coupling GS/GM 80
3	81539500	3	Screw M4x16 PANH
4	81517800	1	Manometer
5	81517400	1	Gasket
6	81517700	1	Manometer gasket
7	71517900	1	Casing manometer
8	21517200	1	Manometer
9	21657000	1	MANOMETER COMPLETE
10	82106900	1	COVER FOR INLET
11	81403900	1	AIR SCREW
12	71676900	1	FILTER DISC
13	81500800	1	WASHER M8
14	81414200	1	NUT JAM HEX M8
15	71667001	1	AIR HOSE L=0,870 M
16	72115600	1	AIR HOSE
17	81539500	3	SCREW M4X16 PANH
18	81657100	1	MANOMETER
19	81517400	1	GASKET
20	81657400	1	NUT
21	81657200	1	CUP FOR MANOMETER
22	71242400	1	TUBE FOR MANOMETER
23	81657300	1	TÆTNINGSRING
24	81255600	2	SHOCK ABSORBER PLUG
25	81735600	6	HOSE CLAMP MANOMETER

Note

means: New or changed ref. nos.

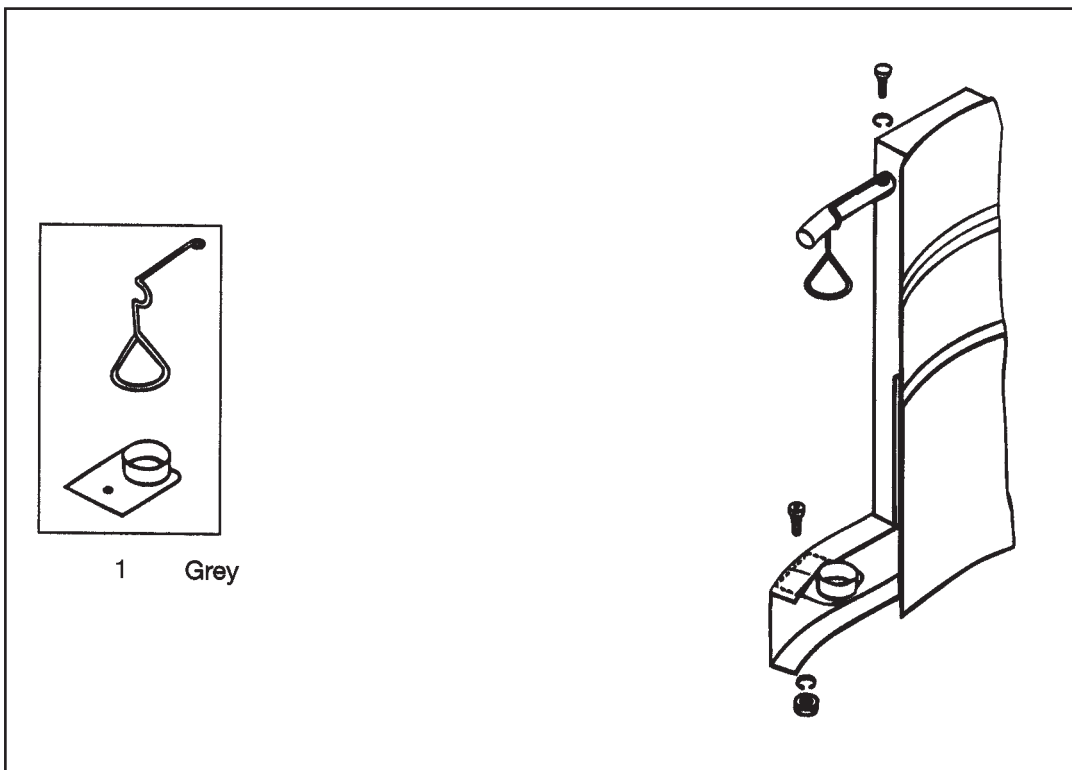
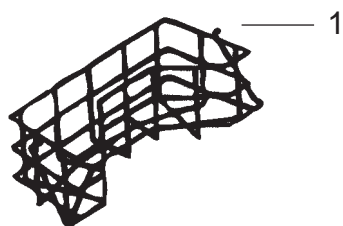


01-11	GM 625	BOOK G		
	DUST BAG SYSTEM	G	2.3.3	25

Item	Ref.No.	Qty	Description
1	11852800	1	Dust bag system, standard
2	21695400	1	Packet of 1 plastic sack, 46 litres
3	21804000	1	Set of high efficiency bags, 46 litres
4	81584000	1	Packet of 5 two-ply paper bags, 46l. "blue" standard
	81999000	1	Packet of 5 paper bags for fine dust, 46l., "green"
5	21695900	1	Packet of 1 fabric bag, 46 litres
6	21582901	1	Inlet bracket, complete

Note

>> means: New or changed ref. nos.

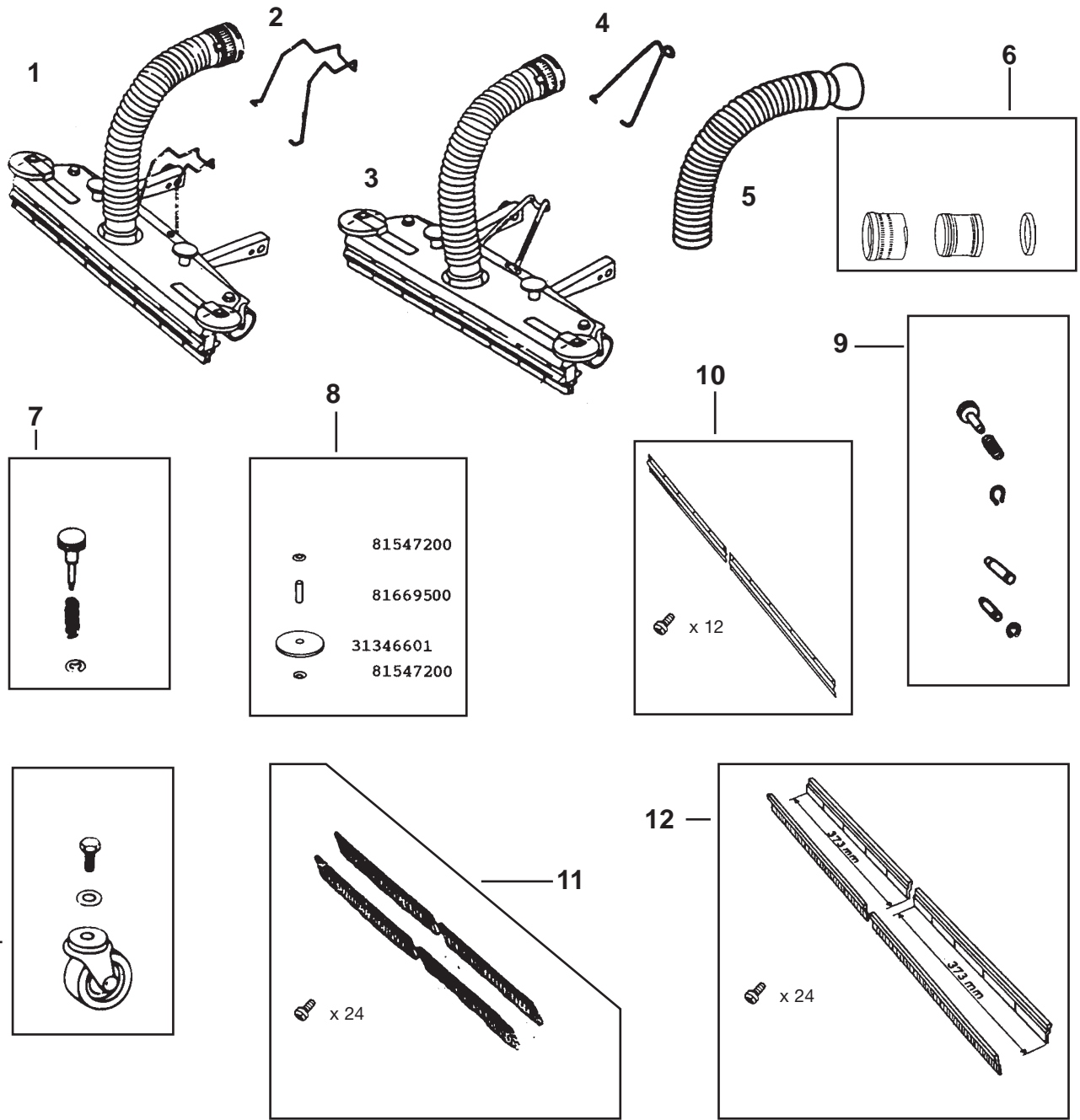


01-11	GM 625	BOOK G		
	TOOL BOX, STORAGE FOR TUBES	G	2.3.3	27

Item	Ref No.	Qty.	Description
1	81851200	1	Tool box
2	21851301	1	Suspension for tubes

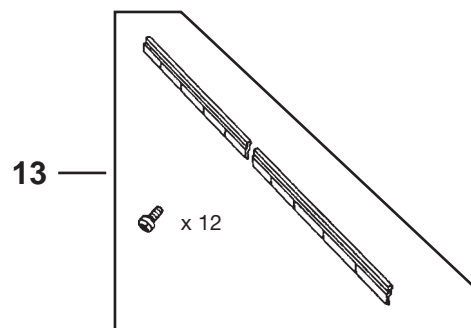
Note

>> means: New or changed ref. nos.



Fixed floor nozzles

Ref. No	For models	Serial numbers	Fig.
11669000	GM 625	101 - 3434	1
11669000	GB 725	101 - 1002	1
11839000	GM 625	3435 -	2
11839000	GB 725	1003 -	2
11839000	GM 625 / GB 726	1001 -	2
11839000	GB 826	1001 -	2

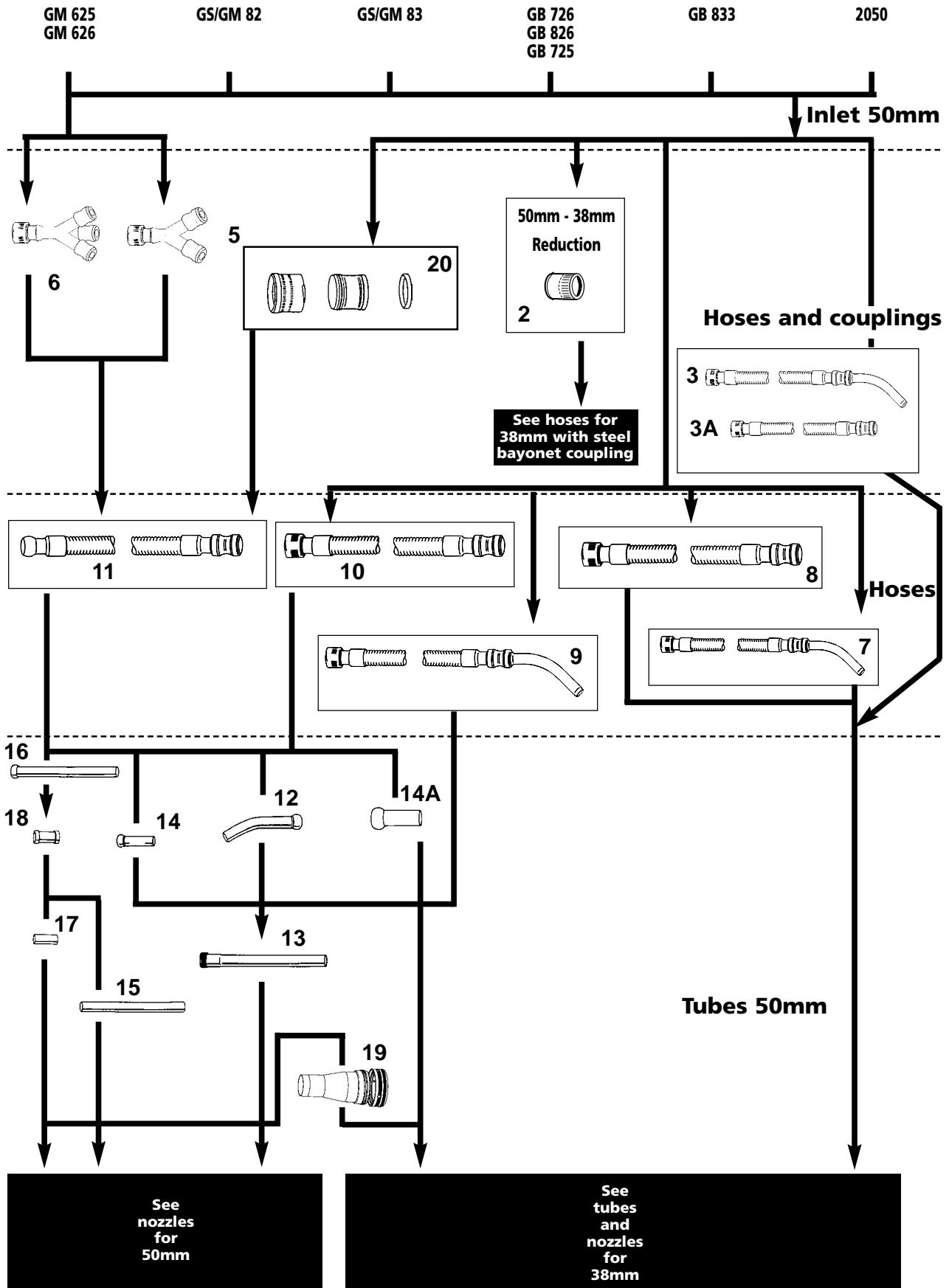


02-02	Fixed floor nozzle, 750 mm	BOOK G		
		G	2.3.3	29

Pos.	Part No.	Qty.	Desc.1	Desc.2
1	11669000	0	NOZZLE FIXED FLOOR 50MM FOR GM/625/725 750MM	
2	81662900	1	LIFTING HOOK FOR FIXED FLOOR NOZZLE	
3	11839000	1	NOZZLE FIXED FLOOR 750MM	FOR GM625 MM.
4	71353900	1	LIFTING HOOK FIXED FLOOR NOZZLE	
5	61733000	1	HOSE FOR FIXED FLOOR NOZZ 335MM	
6	22344200	1	STEEL BAYONET COUPL 50MM	KIT
7	22384600	1	ADJUSTMENT SCREW FOR NOZZ NOZZLE	
8	22386800	1	KIT BUMPERWHEEL FOR FIXED NOZZLE (FEX 11372900)	
9	22386900	1	NOZZLE ATTACHMENT + AXEL	KIT, (F. FEX 11372900)
10	22402800	1	TWO BRUSH/LIP HOLDERS FOR NOZZLES KIT	
11	21669600	1	BRUSH SET 4 PCS KIT F/FIXED FLOORNOZZLE 750MM	
12	22295400	1	2 BRUSHES + 2 RUB BLADES FIXED FLOOR NOZZLE 750MM	
13	22402900	1	NOTCHED RUBBER LIPS FOR NOZZLE KIT	
14	22384800	1	WHEEL KIT FOR NOZZLE & WAGON	

Note

>> means: New or changed ref. nos.



Pos.	Part No.	Qty.	Desc.1	Desc.2, EAN
2	10960900	1	REDUCER 50MM/38MM BETWEEN CONTAINER & HOSE.BAYONETS	
3	11605200	1	HOSE 50/38MM 2.6M PLASTIC	BAYONET 50MM + TUBE 38MM
3	11605500	1	HOSE 50MM/38MM 2.6M PLAST	WITH STEEL BAYO + MUFF
5	02150900	1	T-COUP. 50MM BAJONET INTO	2 X 50MM MUFFS
6	02151000	1	T-COUP. 50MM BAYONET INTO	3 X 50MM MUFFS
7	12167700	1	HOSE 38MM/3M PUR	50MM BAYO-38MM CURV.TUBE
8	82184700	1	HOSE 38MM/3M PUR	50MM BAYONET + 38MM MUFFE
9	11382000	1	HOSE 50MM/2M RUBBER WITH	CURVED TUBE + MUFFE
9	11382100	1	HOSE 50MM/3M RUBBER WITH	CURVED TUBE + BAYONET
9	11604000	1	HOSE 50MM/3M PLASTIC	W BAYO + CURVED TUBE
9	12167200	1	HOSE 50MM/3M PUR	BAYO + CURVED STEEL TUBE
9	12248000	1	HOSE 50MM/2M CON	BAYO.COUP W CURVED TUBE
9	12248200	1	HOSE 50MM/3M CONDUCTIVE	CURVED TUBE + BAJONET
9	12248400	1	HOSE 50MM/5M CONDUCTIVE	BAYO COUP W CURVED TUBE
9	12248600	1	HOSE 50MM/10M CONDUCTIVE	BAYONET + CURVED TUBE
9	12292600	1	HOSE 50MM/2M OILRESISTANT	BAYO COUP + CURVED TUBE
9	12292800	1	HOSE 50MM/3M OILRESISTANT	BAYONET + CURVED TUBE
9	12293000	1	HOSE 50MM/5M OILRESISTANT	BAYONET + CURVED TUBE
9	12293200	1	HOSE 50MM/10M OILRESIST.	BAYONET + CURVED TUBE
9	12331100	1	HOSE 50MM/2M PLAST GREY	BAYO.COUP.W CURVED TUBE
9	12331200	1	HOSE 50MM/5M PLASTIC GREY	BAYO.COUP.W CURVED TUBB
9	12331300	1	HOSE 50MM/10M PLAST GREY	BAYO.COUP.W CURVED TUBB
10	00191493	1	HOSE 50MM/10M RUBBER	W. CURVED TUBE + BAYONET
10	02156000	1	HOSE 50MM/3M METAL WITH BAYONET + MUFF	
10	10624300	1	HOSE 50MM/2M RUBBER	WITH BAYO AND MUFF
10	10629800	1	HOSE 50MM/3M RUBBER	WITH BAYO AND MUFF
10	12248100	1	HOSE 50MM/2M CONDUCTIVE	WITH BAYONET + MUFF
10	12248300	1	HOSE 50MM/3M CONDUCTIVE	BAYONET + MUFF
10	12248500	1	HOSE 50MM/5M CONDUCTIVE	WITH BAYONET + MUFF
10	12248700	1	HOSE 50MM/10M CONDUCTIVE	WITH BAYONET + MUFF
10	12256000	1	HOSE 50MM/2M PLASTIC	WITH BAYONET + MUFF
10	12256200	1	HOSE 50MM/5M PLASTIC	WITH BAYONET + MUFF
10	12256400	1	HOSE 50MM/10M PLASTIC	WITH BAYONET & MUFF
10	12292700	1	HOSE 50MM/2M OILRESISTANT	WITH BAYONET + MUFF
10	12292900	1	HOSE 50MM/3M OILRESISTANT	WITH BAYONET + MUFF
10	12293100	1	HOSE 50MM/5M OILRESISTANT	WITH BAYONET + MUFF
10	12293300	1	HOSE 50MM/10M OILRESIST.	WITH BAYO AND BALL JOINT
10	21604200	1	HOSE 50MM/3M PLASTIC	BAYO COUP AND MUFF
10	82184600	1	HOSE 50MM/3M PUR WITH BAYONET AND MUFF	
11	02158700	1	HOSE 50MM/3M METAL WITH MUFF + BALL	
11	10629700	1	HOSE 50MM/3M RUBBER	BALL-MUFF
11	10696500	1	HOSE 50MM/2M RUBBER	BALL + MUFF
11	31803200	1	HOSE 50MM/3M PLASTIC	W MUFF + BALL
11	32331400	1	HOSE 50MM/2M PLAST GREY	BALL JOINT AND MUFF
11	32331500	1	HOSE 50MM/5M PLASTIC GREY	BALL JOINT AND MUFF
11	32331600	1	HOSE 50MM/10M PLAST GREY	BALL JOINT AND MUFF
11	82246201	1	HOSE 50MM/2M CONDUCTIVE	WITH BALL + MUFF
11	82246301	1	HOSE 50MM/3M CONDUCTIVE	WITH BALL + MUFF
11	82246401	1	HOSE 50MM/10M CONDUCTIVE	WITH BALL+MUFF
11	82246501	1	HOSE 50MM/5M CONDUCTIVE	WITH BALL + MUFF
11	82290501	1	HOSE 50MM/2M OILRESISTANT	WITH BALL + MUFF
11	82290601	1	HOSE 50MM/3M OILRESISTANT	WITH BALL + MUFF
11	82290701	1	HOSE 50MM/5M OILRESISTANT	WITH BALL + MUFF
11	82290801	1	HOSE 50MM/10M OILRESISTAN	WITH BALL AND MUFF
11	82344900	1	HOSE 50MM/3M PUR W. BALL	AND MUFF
12	10624400	1	TUBE CURVED 50MM	
13	10686400	1	TUBE STRAIGHT 50MM 1M	STEEL
14	10645800	1	TUBE STRAIGHT 50MM 190MM	
15	80652700	1	TUBE STRAIGHT 38MM L=1M ALU.W.SPRING LOCK	
16	80691600	1	NON-METALLIC TUBE 50MM/1M	
17	80649300	1	TUBE 50MM NON METAL	L=0,12M
18	80691300	1	TUBE CONNECTOR 50MM	
19	82294100	1	REDUCTION TUBE 38/50MM	USE BETWEEN TWO TUBES
14A	21317200	1	REDUCTION TUBE 38-50MM	STEEL
20	22344200	1	STEEL BAYONET COUPL 50MM KIT	

Note

>> means: New or changed ref. nos.



See hoses connection diagram for 38mm

See hoses connection diagram for 50mm



45°
11



12



13



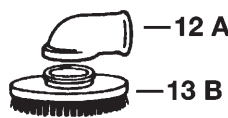
11 A

11 B



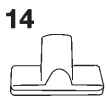
12 A

12 B



12 A

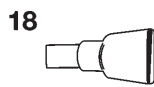
13 B



14



17



18



19



21

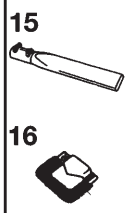
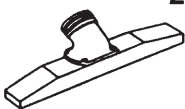


Wood

26

Wooden nozzle for cleaning ovens

29



15

16

Wood/plastic blades

22



Plastic/Lips

22 A



Wood/brush

23



Plastic/Brush

23 A



Wood/plastic blades

24



Plastic/Lips

24 A



Wood/brush

25



Plastic/Brush

25 A



Nozzle Neck adjustable
Neck material:
-Rubber/Aluminium/
Fe-Zn.
-SiliconeRubber/
Alu/Stainless Steel.



27

Nozzle with adjustable Neck
Neck material:
-Rubber/Aluminium/
Fe-Zn.
-Silicone Rubber/
Alu/Stainless Steel.



31



32



33



34

Nozzle Neck adjustable & Lockable
Neck material:
-Rubber/Aluminium/
Fe-Zn.
-Silicone Rubber/
Alu/Stainless Steel.



27

Nozzle with adjustable & Lockable Neck
Neck material:
-Rubber/Aluminium/
Fe-Zn.
-Silicone Rubber/
Alu/Stainless Steel.



35



36

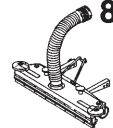


37

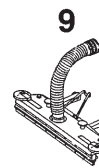


38

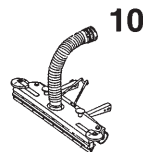
Fixed floor nozzle



8



9



10

Ref. No	For models	Serial No.
11669000	GM 625	101 - 3434
11669000	GB 725	101 - 1002
11839000	GM 625	3435 -
11839000	GM 725	1003 -
11839000	GM 626/GM 726	1001 -
11839000	GB 826	1001 -

Cones



4



5

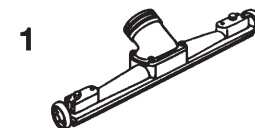


6

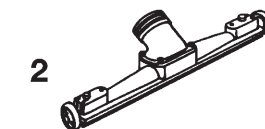


7

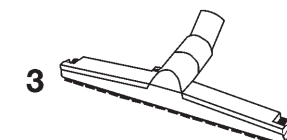
Wheeled floor nozzle



1



2



3

IW 2050

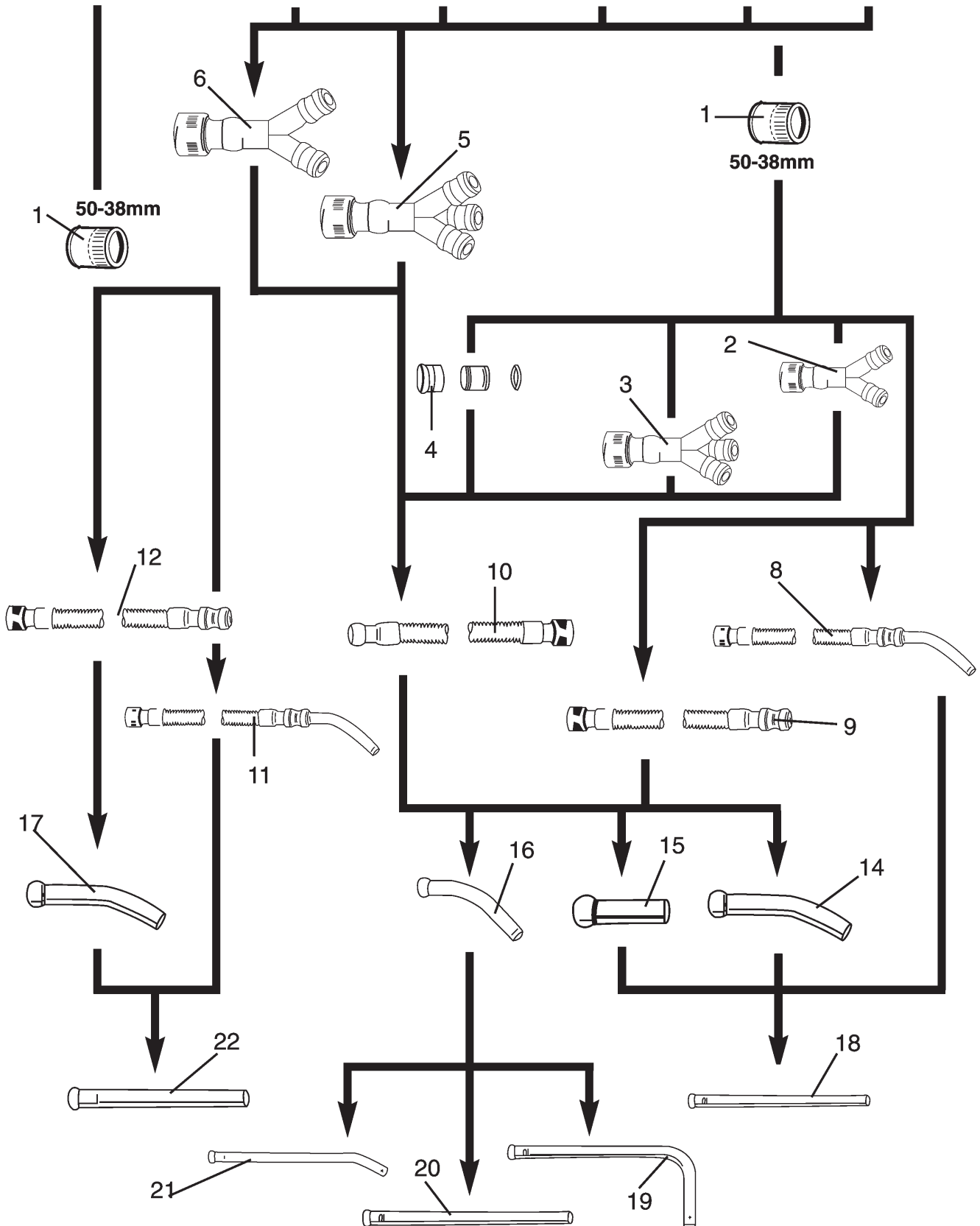
GB 726
GB 826
GB 725

GB 833

GS/GM 83

GS/GM 82

GM 625
GM 626



02-02	HOSE CONNECTION DIAGRAM STEEL/BRASS BAYONET 38MM	BOOK G		
03-02		G	2.3.3	35

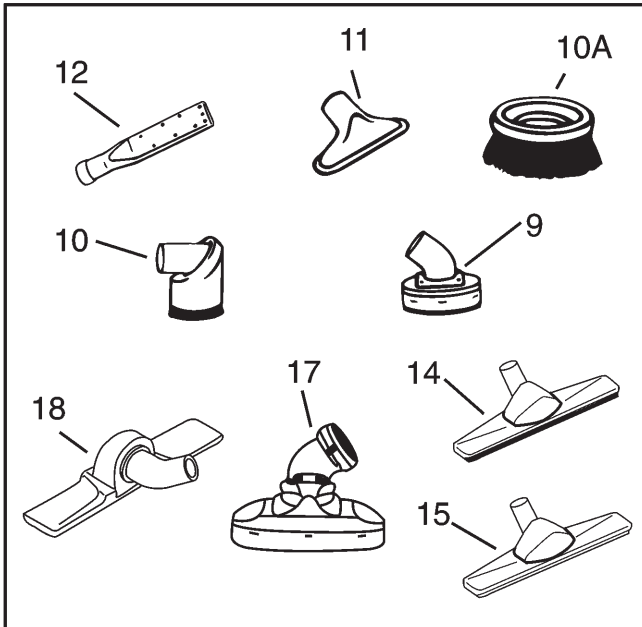
Pos.	Part No.	Qty.	Desc.1	Desc.2, EAN
1	10960900	1	REDUCER 50MM/38MM BETWEEN CONTAINER & HOSE.BAYONETS	
3	22329700	1	BRASS BAYONET COUPL. 38MM KIT	
3	22329900	1	STEEL BAYONET COUPL. 38MM KIT	
5	02151300	1	T-COUP. 50MM BAYONET INTO	2 X 38MM MUFFS
6	02150800	1	T-COUP. 50MM BAYONET INTO	3 X 38MM MUFFS
7	10960900	1	REDUCER 50MM/38MM BETWEEN CONTAINER & HOSE.BAYONETS	
8	11381600	1	HOSE 38MM/2M RUBBER WITH	CURVED TUBE + BAYONET
8	11381700	1	HOSE 38MM/3M RUBBER	CURVED TUBE + BAYONET
8	11602500	1	HOSE 38MM/2M PLASTIC	W. CURVED TUBE + BAYONET
8	11603000	1	HOSE 38MM/3M PLASTIC	W. CURVED TUBE + BAYONET
8	12247000	1	HOSE 38MM/2M CONDUCTIVE	WITH BAYONET +CURVED TUBE
8	12247200	1	HOSE 38MM/3M CONDUCTIVE	CURVED TUBE + BAYONET
8	12247400	1	HOSE 38MM/5M CONDUCTIVE	CURVED TUBE + BAYONET
8	12247600	1	HOSE 38MM/10M CONDUCTIVE	COMP.W.CURV. TUBE + BAYO
8	12291000	1	HOSE 38MM/2M OILRESIST.	COMP.CURV TUBE + BAYONET
8	12291400	1	HOSE 38MM/3M OILRESIST.	CURVED TUBE + BAYONET
8	12291800	1	HOSE 38MM/5M OILRESISTANT	CURVED TUBE + BAYONET
8	12292200	1	HOSE 38MM/10M OILRESIS.PL	COMP.CURV TUBE + BAYONET
8	12292200	1	HOSE 38MM/10M OILRESIS.PL	COMP.CURV TUBE + BAYONET
8	82343400	1	HOSE 38MM/50M NONCON.	W. STEEL BAYO+ BENT TUBE
9	03067800	1	TRANSPARENT HOSE 3M/38 MM	
9	11343300	1	HOSE 38MM/2M RUBBER	WITH BAYO AND MUFF
9	11343500	1	HOSE 38MM/3M RUBBER	WITH BAYONET AND MUFF
9	12247100	1	HOSE 38MM/2M CONDUCTIVE	STEEL BAYONET + MUFF
9	12247300	1	HOSE 38MM/3M CONDUCTIVE	BAYONET/+ MUFF
9	12247500	1	HOSE 38MM/5M CONDUCTIVE	STEEL BAYONET + MUFF
9	12247700	1	HOSE 38MM/10M CONDUCT.PL.	STEEL BAYO + MUFF
9	12255400	1	HOSE 38MM/5M PLASTIC	BAYONET + MUFF
9	12255800	1	HOSE 38MM/10M PLASTIC	WITH BAYONET AND MUFF
9	12291100	1	HOSE 38MM/2M OILRESIST.PL	WITH BAYONET + MUFF
9	12291500	1	HOSE 38MM/3M OILRESIST	WITH BAYONET + MUFF
9	12291900	1	HOSE 38MM/5M OILRESISTANT	WITH BAYONET + MUFF
9	12292300	1	HOSE 38MM/10M OILRESIS	WITH BAYONET + MUFF
9	21602700	1	HOSE 38MM/2M PLASTIC	WITH BAYONET + MUFF
9	21603200	1	HOSE 38MM/3M PLASTIC	WITH BAYONET AND MUFF
10	11343700	1	HOSE 38MM/2M RUBBER	BALL JOINT + MUFF
10	11343900	1	HOSE 38MM/3M RUBBER	BALL JOINT + MUFF
10	31802600	1	HOSE 38MM/2M PLASTIC WITH	BALL JOINT AND MUFF
10	31803100	1	HOSE 38MM/3M PLASTIC	WITH BALL JOINT AND MUFF
10	82245201	1	HOSE 38MM/2M CONDUCTIVE	WITH BALL + MUFF
10	82245301	1	HOSE 38MM/3M CONDUCTIVE	WITH BALL + MUFF
10	82290101	1	HOSE 38MM/2M OILRESISTANT	WITH BALL + MUFF
10	82290201	1	HOSE 38MM/3M OILRESISTANT	WITH BALL + MUFF
10	82290301	1	HOSE 38MM/5M OILRESISTANT	WITH BALL + MUFF
10	82290401	1	HOSE 38MM/10M OILRESISTAN	WITH BALL + MUFF
10	82343600	1	HOSE 38MM/5M PLAST GREY	WITH MUFF AND BALL
10	82343700	1	HOSE 38MM/10M PLAST GREY	WITH MUFF AND BALL
11	11810200	1	HOSE 38MM/2M PLAST BRASS	BAYO. + ALU.CURVED TUBE
11	11810400	1	HOSE 38MM/3M PLASTIC	BRASS BAYO - CURVED TUBE
12	21810100	1	HOSE 38MM/2M PLASTIC	W.BRASS BAYO AND MUFF
12	21810300	1	HOSE 38MM/3M PLASTIC	W. BRASS BAYONET + MUFF
14	10944000	1	CURVED TUBE 38MM	STEEL WITH BALL
15	10984600	1	STRAIGHT TUBE 38MM	STEEL WITH BALL
16	11339800	1	TUBE CURVED 38MM	ALU BALL WITH SPRING LOCK
17	71917000	1	CURVED TUBE 38MM	STAINLESS STEEL WITH BALL
18	11027200	1	STEEL TUBE CHROME L=560 D	38
19	10967000	1	TUBE 90DEG. L=0,82M ALU	WITH SPRING LOCK
20	10961200	1	TUBE 1000/38 MM	WITH SPRING LOCK
21	11297400	1	TUBE BEND 90DEG 38MM	L=1M ALU W SPRING LOCK
22	11916000	1	TUBE 38MM X 630MM SS	

Note

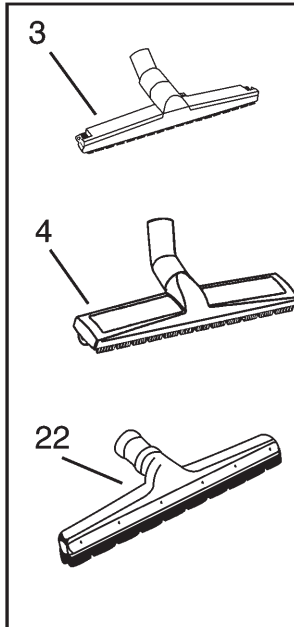
>> means: New or changed ref. nos.

See hoses con-
nection diagram
for 38mm

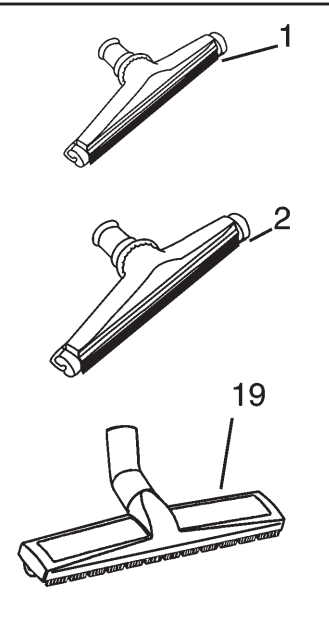
Brushes & nozzles



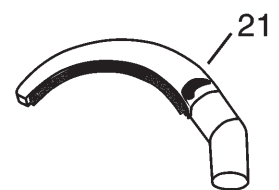
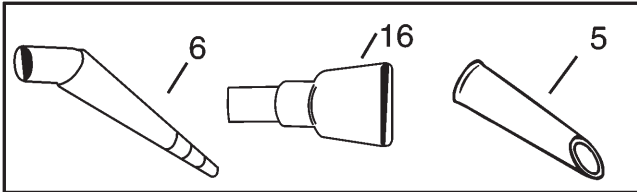
Wet pick-up



Wheeled floor nozzle



Cones



Wood/plastic
blades

26



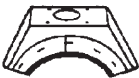
Plastic/Lips

26 A



Wood/brush

25



Plastic/Brush

25 A



Wood/plastic
blades

24



Plastic/Lips

24 A



Wood/brush

28



Plastic/Brush

28 A



Fixed floor nozzle

